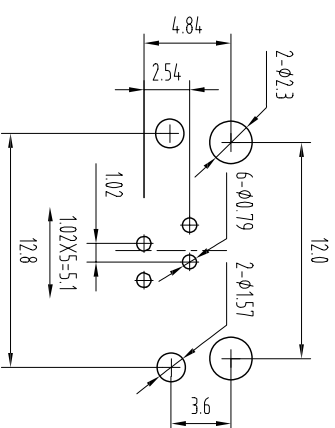
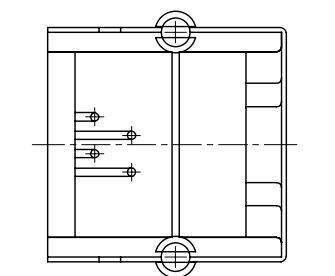
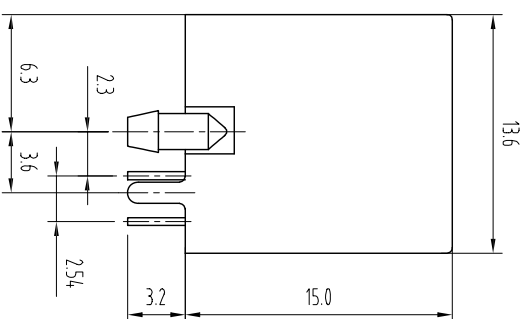
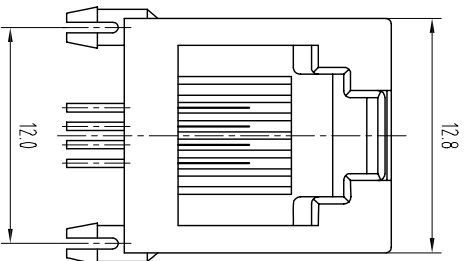
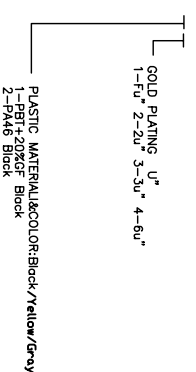


REV	变更内容 MODIFICATION	日期 DATE	制图 DRAW	审核 APPROVE
A	版面发行	2012/10/29	JDL	Oscar

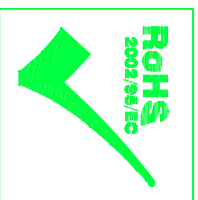


- NOTES:
- MATERIAL:
- 1.HOUSING MATERIAL :GLASS FILLED POLYESTER(U94V-0).
 - 2.CONTACT MATERIAL :PHOSPHOR BRONZE T=0.35mm.
 - 3.PLATING :GOLD PLATING OVER NICKEL.
 - 4.SHIELD COPPER ALLOY 0.20mm THICKNESS PLATING Ni.
- ELECTRICAL:
- 1.VOLTAGE RATING :125 VAC RMS.
 - 2.CURRENT RATING :1.5 AMP.
 - 3.CONTACT RESISTANCE :50 MILLIOHMS MAX.
 - 4.INSULATION RESISTANCE :500 MEGOHMS MIN @ 500V DC.
 - 5.DIELECTRIC WITHSTANDING RESISTANCE :1000V AC RMS 50HZ. 1MIN.
- MECHANICAL:
- 1.DURABILITY :750 CYCLES MIN.
 - 2.PCB RETENTION PRE-SOLDER :1 LB MIN.
- ENVIRONMENTAL:
- 1.STORAGE :-40°C TO +85°C.
 - 2.OPERATION : 0°C TO 70°C.
- MATES WITH MODULAR PLUG CONFORMING TO FCC PART 68,SUBPART F.

PART NUMBER: 5521-S1164-XX



PC Board Layout



HTTP://WWW.RJ45JACK.COM		YOU LONG CONNECT THE WORLD	
:Inspection Item		YOU LONG ELECTRONICS LIMITED	
:Cp/Cpk and SPC Control Item		DWG NO. YL5521-S1164	
DIMENSION IN mm [Inch]		TITLE	
TOLERANCE UNLESS OTHERWISE SPECIFIED		5521 1X1 6P4C PCB JACK WITH SHIELDED SIDE ENTRY.ROUND PIN	
.X± 0.20	X.*± 1"	图号	SCALE
.XXX± 0.15	.X.*± 0.5"	DWG NO.	1:1
.XXX± 0.075		审核	1
批准	检查	制图	1
批准	检查	Oscar	1

If you have any questions,Don't hesitate to email sales@rj45jack.com,please!