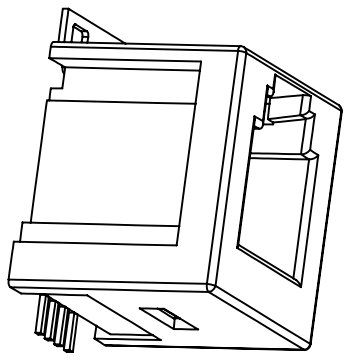
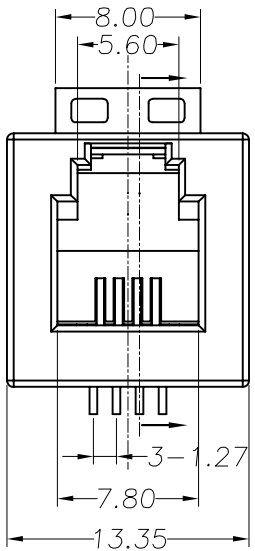


1 2 3 4 5 6 7 8



NOTES:

MATERIAL:

- 1.HOUSING MATERIAL :GLASS FILLED POLYESTER(U194V-0).
- 2.CONTACT MATERIAL :PHOSPHOR BRONZE T=0.35mm (C5191).
- 3.PLATING :GOLD PLATING OVER NICKEL.

ELECTRICAL:

- 1.VOLTAGE RATING :125 VAC RMS.
- 2.CURRENT RATING :1.5 AMP.
- 3.CONTACT RESISTANCE :50 MILLIOHMS MAX.

4.INSULATION RESISTANCE :500 MEGOHMS MIN @ 500V DC.

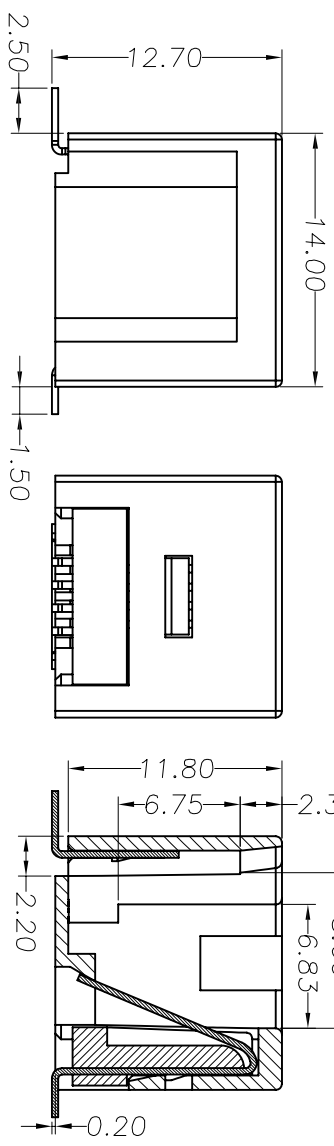
MECHANICAL:

- 1.DURABILITY :750 CYCLES MIN.
- 2.PCB RETENTION PRE-SOLDER

ENVIRONMENTAL:

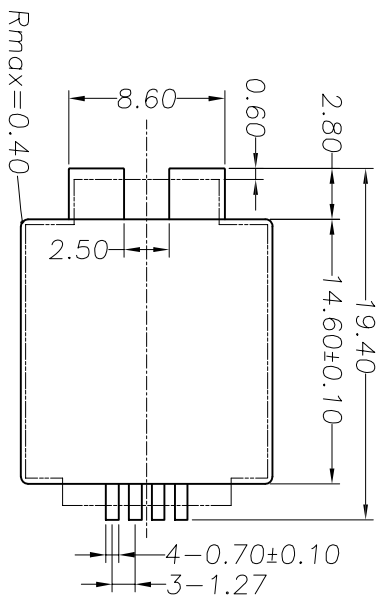
- 1.STORAGE : -40°C TO +85°C.
- 2. OPERATION : 0°C TO 70°C.

MATES WITH MODULAR PLUG CONFORMING TO FCC PART 68,SUBPART F.



PART NUMBER: SMT-N1144-H33X

- GOLD PLATING "U"
- 1-Fu "Z-2u" 3-3u" 4-6u"
- 5-15u" 6-30u"
- PLASTIC MATERIAL&COLOR:Black/Yellow/Grey
- 1--PBT+20%GF Black
- 2--PA46 Black
- 3--CP Black



PC Board Layout



REV	变更内容 MODIFICATION	日期 DATE	制图 DRAW	审核 APPROVE
A	版面发行	2012/10/29	JDL	Oscar

HTTP://WWW.RJ45JACK.COM YOU LONG ELECTRONICS LIMITED		图号 FILE NO. YLSMT-N1144-H3	
DIMENSION IN mm [Inch] TOLERANCE UNLESS OTHERWISE SPECIFIED .X±0.20 X*±1* .XXX±0.15 X*±0.5* .XXXX±0.075		标题 TITLE SMT 1X1 4P4C PCB JACK V/D SHIELDED H=12.7MM ,TOP ENTRY,FLAT PIN	
:Inspection Item :Cp/Cpk and SPC Control Item	批准 APPROVE	检查 CHECK	制图 DRAW Oscar 审核 SCALE 1:1 图幅 SIZE A3 数量 REV 1 日期 DATE 1

If you have any questions,Don't hesitate to email sales@rj45jack.com,please!