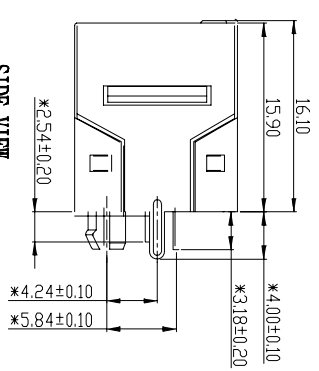


**FRONT VIEW**



**SIDE VIEW**

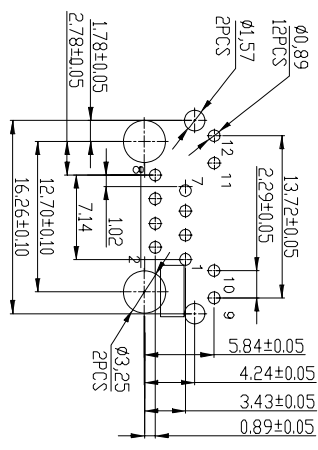
**NOTES:**

- MATERIALS:**  
 PLASTIC HOUSING: ENGINEERING THERMOPLASTIC  
 FLAMMABILITY RATING UL 94V-0.  
 CONTACTS: PHOSPHOR BRONZE  
 PLATING: GOLD PLATING OVER NICKEL IN CONTACT.  
 TIN PLATING OVER NICKEL IN SOLDER AREA.  
 SHIELDED: BRASS WITH NICKEL PLATED

- Electrical:**  
 1.Voltage Rating:125 Vac Rms.  
 2.Current Rating:1.5 Amp.  
 3.Contact Resistance:40 Milliohms Max  
 4.Insulation Resistance:1000 Megohms Min @500 Vdc.  
 5.Dielectric Strength:1000 Vac Rms 60HZ, 1Min.  
**Mechanical:**  
 1.Operating:750 Cycles Min.  
**Environmental:**  
 1.Storage:-40°C To +85°C.  
 2.Operation:-20°C To +75°C.  
 Mates With Modular Plug Conforming To FCC Part 68, Subpart F.

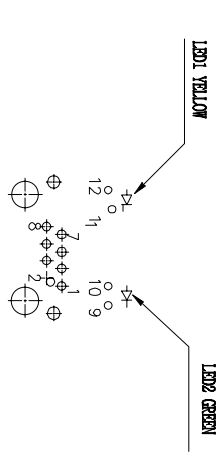
PART NUMBER: 52B-S1188L1-PH2X

GOLD PLATING U"  
 1-.5u" 2-.6u" 3-.15u" 4-.30u"



**SUGGESTED PCB LAYOUT**

DIMENSIONS TOLERANCE: .XX ± 0.05 [ 0.0002 ]



**LED SCHEMATIC**

REV	变更内容 MODIFICATION	日期 DATE	制图 DRAW	批准 APPROVE
A	版面发行	2012/10/29	JDL	Oscar

HTTP://WWW.RJ45JACK.COM		YOU LONG CONNECT THE WORLD	
: Cp/Cpk and SPC Control Item		YOU LONG ELECTRONICS LIMITED	
: Inspection Item		QC	
TOLERANCE UNLESS OTHERWISE SPECIFIED		公差除非另有说明	
.X ± 0.20	X * ± 1"	公差	公差
.XX ± 0.15	.X * ± 0.5"	公差	公差
.XXX ± 0.075		公差	公差
FILE NO.	DWG NO.	图号	图号
	YL52B-S1188L1-PH2	52B 1X1 8P8C LED PCB JACK&SHIELDED WITH PANEL	52B 1X1 8P8C LED PCB JACK&SHIELDED WITH PANEL
TITLE		H=16.10MM, TOP ENTRY, FLAT PIN	
Oscar		Oscar	
SCALE		SCALE	
1:1		1:1	
SIZE		SIZE	
A3		A3	
REV		REV	
A		A	

If you have any questions, Don't hesitate to email sales@rj45jack.com, please!