

If you have any questions, Don't hesitate to email sales@rj45jack.com, please!

REV	变更内容 MODIFICATION	日期 DATE	制图 DRAW	批准 APPROVE
A	版面发行	2012/10/29	JDL	Oscar

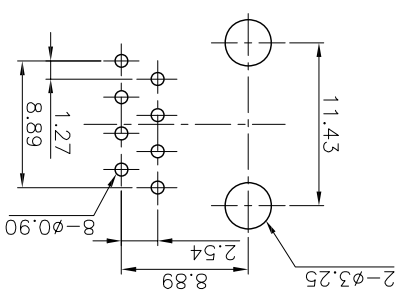
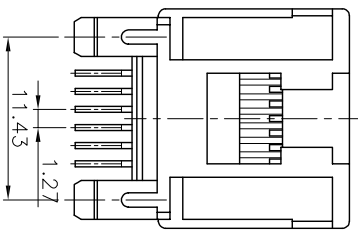
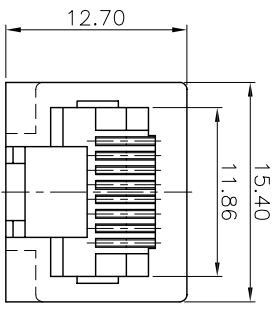
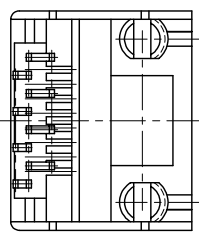
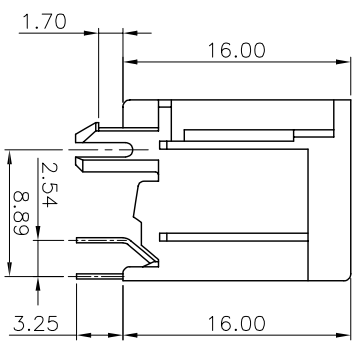
NOTES:

MATERIALS:
 PLASTIC HOUSING: ENGINEERING THERMOPLASTIC
 FLAMMABILITY RATING UL 94V-0.
 CONTACTS: PHOSPHOR BRONZE
 PLATING: GOLD PLATING OVER NICKEL IN CONTACT.
 PIN PLATING OVER NICKEL IN SOLDER AREA.
 SHIELDED: BRASS WITH NICKEL PLATED

Electrical:
 1.Voltage Rating:125 Vac Rms.
 2.Current Rating:1.5 Amp.
 3.Contact Resistance:40 Milliohms Max.
 4.Insulation Resistance:1000 Megohms Min @500 Vdc.
 5.Dielectric Strength:1000 Vac Rms 60HZ, 1Min.
Mechanical:
 1.Operating:750 Cycles Min.
Environmental:
 1.Storage:-40°C To +85°C.
 2.Operation:-20°C To +75°C.
 Mates With Modular Plug Conforming To FCC Part 68, Subpart F.

PART NUMBER: 52B-N1188-H1X

GOLD PLATING U"
 1-3u" 2-6u" 3-15u" 4-30u"



PCB LAYOUT/TOP VIEW



HTTP://WWW.RJ45JACK.COM		YOU LONG CONNECT THE WORLD	
:Cp/Cpk and SPC Control Item		YOU LONG ELECTRONICS LIMITED	
:Inspection Item		文件号 FILE NO. YL52B-N1188-H1	
DIMENSION IN mm [Inch]		图号 DRAW OSCDR	
TOLERANCE UNLESS OTHERWISE SPECIFIED		比例 SCALE 1:1	
.X±0.20	X.*±1"	图框 SIZE A3	
.XX±0.15	.X.*±0.5"	数量 REV 1/A	
.XXX±0.075		标题 TITLE 52B 1X1 8P8C PCB JACK&UNSHIELDED H=16.00MM,TOP ENTRY,FLAT PIN	
批准 APPROVE	检查 CHECK	制图 DRAW OSCDR	