

REV	变更内容 MODIFICATION	日期 DATE	制图 DRAW	批准 APPROVE
A	版面发行	2012/10/29	JDL	Oscar

NOTES:

MATERIALS:

PLASTIC HOUSING: ENGINEERING THERMOPLASTIC
FLAMMABILITY RATING: UL 94V-0.

CONTACTS: PHOSPHOR BRONZE

PLATING: GOLD PLATING OVER NICKEL IN CONTACT.

TIN PLATING OVER NICKEL IN SOLDER AREA.

Electrical:

- 1.Voltage Rating:125 Vac Rms.
- 2.Current Rating:1.5 Amp.
- 3.Contact Resistance:40 Milliohms Max.
- 4.Insulation Resistance:1000 Megohms Min @500 Vdc.
- 5.Dielectric Strength:1000 Vac Rms 60Hz, 1Min.

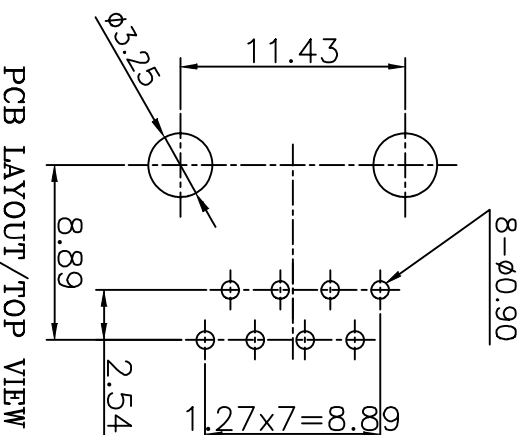
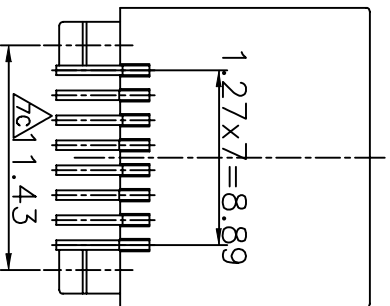
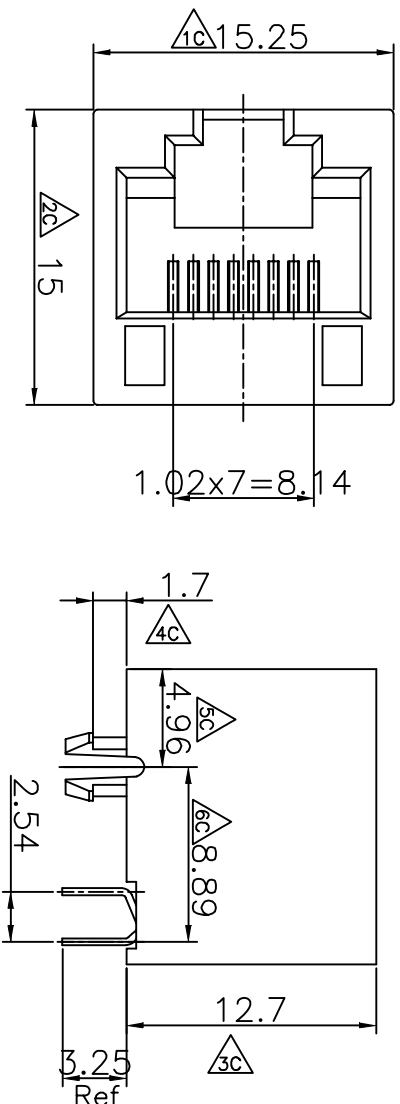
Mechanical:

- 1.Operating:750 Cycles Min.
- Environmental:
- 1.Storage:-40°C To +85°C.
- 2.Operation:-20°C To +75°C.

Mates With Modular Plug Conforming To FCC Part 68, Subpart F.

PART NUMBER: 52C-N1188-H3X

GOLD PLATING U"
1-30" 2-60" 3-150" 4-300"



PCB LAYOUT/TOP VIEW



HTTP://WWW.RJ45JACK.COM		YOU LONG CONNECT THE WORLD	
:Cp/Cpk and SPC Control Item		YOU LONG ELECTRONICS LIMITED	
DIMENSION IN mm [Inch]		文件号 FILE NO.	
TOLERANCE UNLESS OTHERWISE SPECIFIED		图号 DWG NO.	
.X± 0.20	X.* ± 1"	YLS2C-N1188-H3	
.XXX ± 0.15	.X.* ± 0.5"	标题 TITLE	
.XXX ± 0.075		S2C 1X1 8P8C PCB JACK W/D SHIELD	
批准 APPROVE	检查 CHECK	H=12.7MM, TOP ENTRY, FLAT PIN	
		制图 DRAW	审核 PROL.
		Oscar	比例 SCALE
			1:1
			图框 SIZE
			A3
			数量 REV
			1 / 1

If you have any questions, Don't hesitate to email sales@rj45jack.com, please!