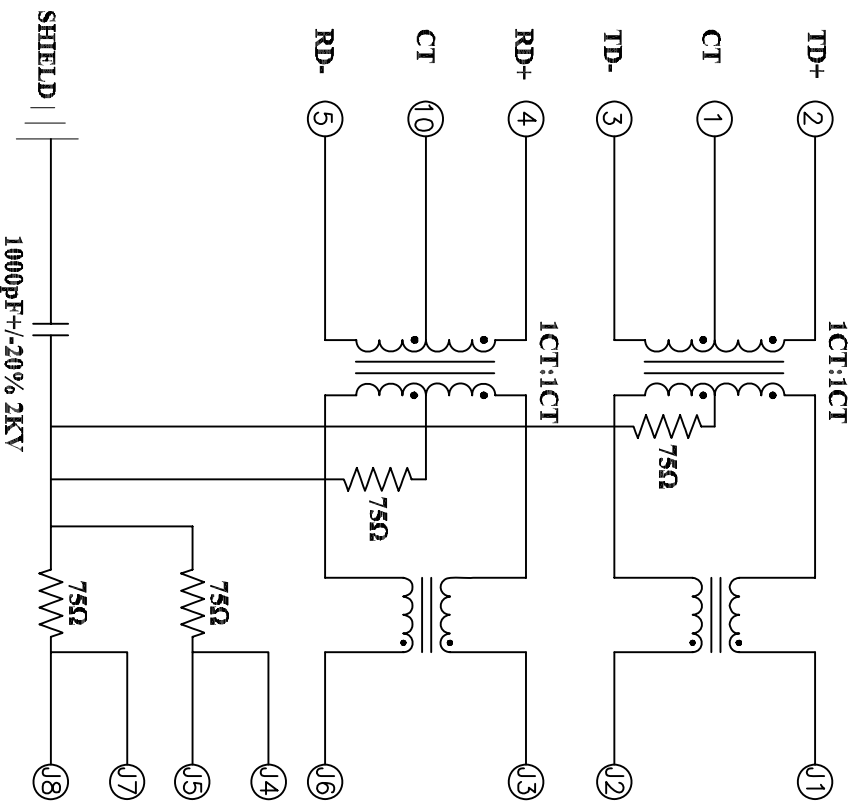


ELECTRICAL SPECIFICATIONS @ 25°C+/-5°C unless otherwise noted:

Schematics:

A TYPE



Insertion Loss: 1-100MHZ -1.0dB MAX

Return Loss: 1-30MHZ -16.0dB MIN
30-60MHZ -14.0dB MIN
60-80MHZ -10.0dB MIN

Cross Talk: 1-30MHZ -40.0dB MIN
30-60MHZ -35.0dB MIN
60-80MHZ -30.0dB MIN

CMR: 1-100MHZ -35.0dB MIN

Hi-Pot: 1500V AC 6S 1mA

OCL:350uH MIN @ 100KHZ 100mV 8mA DC

Contacts: 0.35mm thick phos bronze plated with 6u' gold in contact area

Turn Ratio: 1CT:1CT+/-3%

更改 REV	变更内容 MODIFICATION	日期 DATE	制图 DRAW	审核 APPROVE
A	屏蔽失效	2012/10/29	JDL	Oscar

HTTP://WWW.RJ45JACK.COM		YOU LONG CONNECT THE WORLD	
YOU LONG ELECTRONICS LIMITED		YOU LONG ELECTRONICS LIMITED	
DIMENSION IN mm [Inch]		TITLE	
TOLERANCE UNLESS OTHERWISE SPECIFIED		10/100Base-T Magnetics Module RJ45+TVD-DOUBLE USB	
.X±0.20	X*±1"	文件号	图号
.XX±0.15	.X*±0.5"	FILE NO.	DWG NO.
.XXX±0.075		XXXX±0.075	HRJ-YL21003NL
批准	审核	制图	检查
APPROVE	CHECK	DRAW	
Oscdr		Oscdr	
1:1		1:1	
A3		A3	
REV		REV	
A		A	

If you have any questions, Don't hesitate to email sales@rj45jack.com, please!