

REV	变更内容 MODIFICATION	日期 DATE	制图 DRAW	审核 APPROVE
A	版面发行	2012/10/29	JDL	Oscar

NOTES:

MATERIAL:

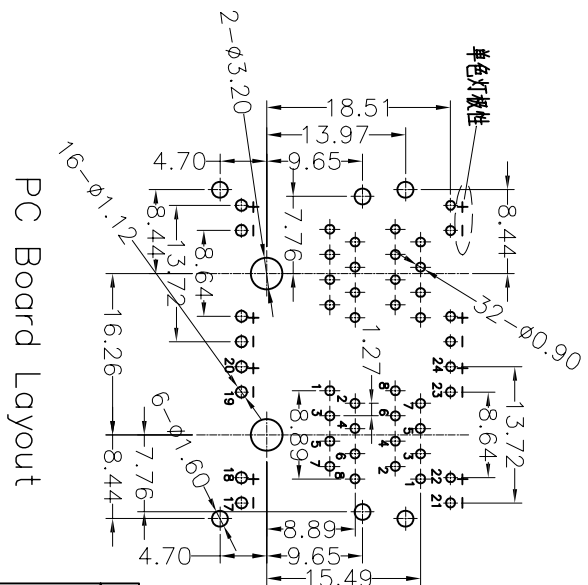
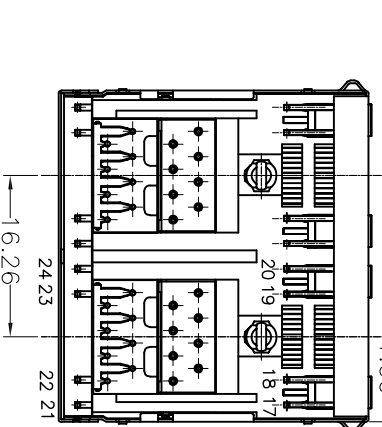
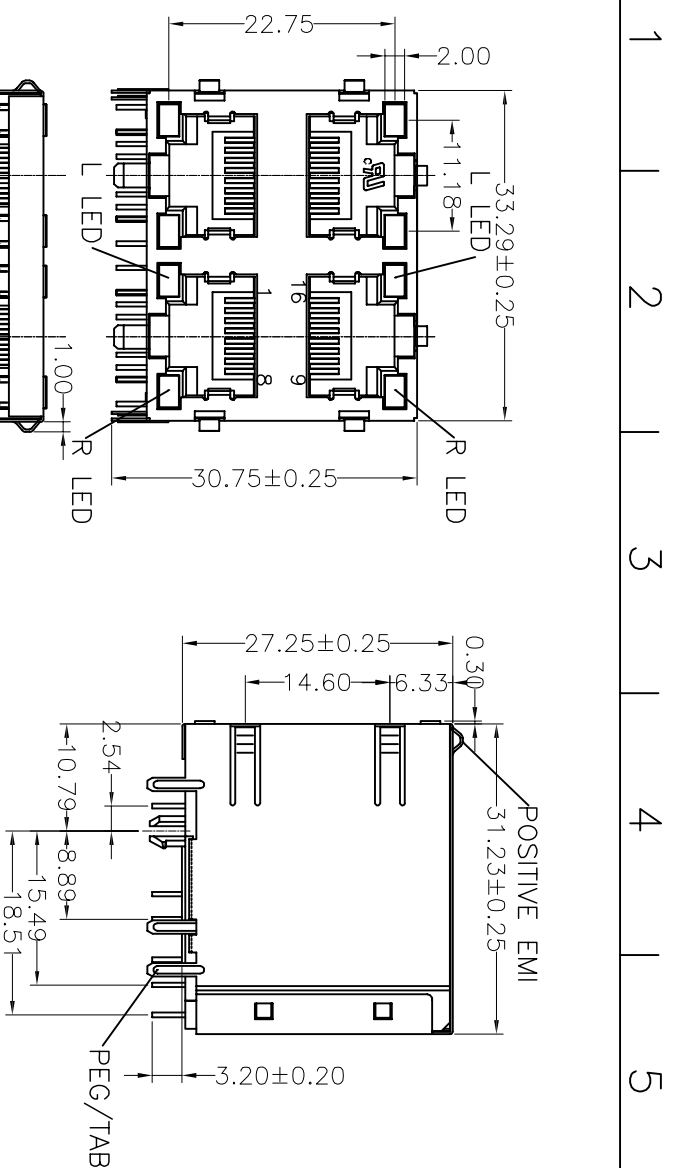
- 1.HOUSING MATERIAL :GLASS FILLED POLYESTER(U94V-0) (C5100).
- 2.CONTACT MATERIAL :PHOSPHOR BRONZE  $\phi 0.46mm$  (C5100).
- 3.PLATING :GOLD PLATING OVER NICKEL.
- 4.SHIELD COPPER ALLOY(OR STEEL ALLOY) 0.20mm THICKNESS PLATING NI.
- 5.LED OPTION.

ELECTRICAL:

- 1.VOLTAGE RATING :125 VAC RMS.
- 2.CURRENT RATING :1.5 AMP.
- 3.CONTRACT RESISTANCE :50 MILLIOHMS MAX.
- 4.INSULATION RESISTANCE :500 MEGOHMS MIN @ 500V DC.
- 5.DIELECTRIC WITHSTANDING RESISTANCE :1000V AC RMS 50Hz. 1MIN.
- 6.LED RATINGS:FORWARD VOLTAGE:2.2 VOLTS TYPICAL. REVERSE VOLTAGE:5 VOLTS MAXIMUM.

MECHANICAL:

- 1.DURABILITY:750 CYCLES MIN.
  - 2.PCB RETENTION PRE-SOLDER ENVIRONMENTAL:  
1.STORAGE : -40°C TO +85°C.  
2. OPERATION: -20°C TO 70°C.
- MATES WITH MODULAR PLUG CONFORMING TO FCC PART 68,SUBPART F.



PART NUMBER: 59B-S2208L2-E1XX

GOLD PLATING  $1\mu$   
 $1-1\mu$   $2-2\mu$   $3-3\mu$   $4-6\mu$   
 PLASTIC MATERIAL&COLOR:Black/Yellow/Gray  
 2-Pin 4-Block

HTTP://WWW.RJ45JACK.COM	YOU LONG CONNECT THE WORLD
YOU LONG ELECTRONICS LIMITED	
DIMENSION IN mm [Inch]	公差
TOLERANCE UNLESS OTHERWISE SPECIFIED	FILE NO.
.X±0.20 X*±1*	DWG NO. YL59B-S2208L2-E1
.XXX±0.15 .X*±0.5*	
.XXXX±0.075	
检验 APPROVE	制图 DRAW
检查 CHECK	Oscar

If you have any questions,Don't hesitate to email sales@rj45jack.com,please!