

If you have any questions, Don't hesitate to email sales@y45jack.com, please!

更改	变更内容	日期	制图	审核
REV	MODIFICATION	DATE	DRAW	APPROVE
A	版面发行	2012/10/29	JDL	Oscdr

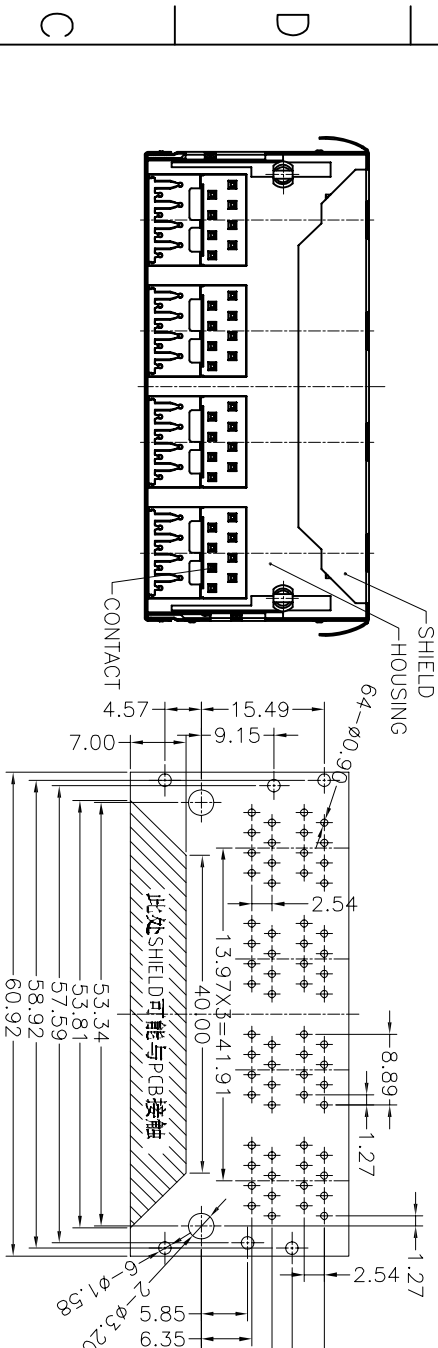
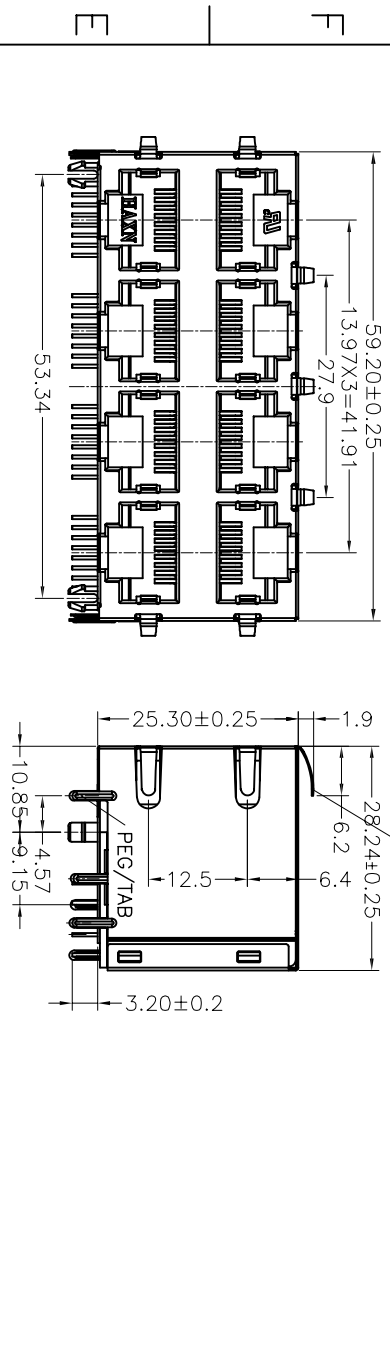
NOTES:

MATERIAL:
1. HOUSING MATERIAL :GLASS FILLED POLYESTER(U94V-0).
2. CONTACT MATERIAL :PHOSPHOR BRONZE $\varnothing 0.46mm$ (C5100).
3. PLATING :GOLD PLATING OVER NICKEL.
4. SHIELD, COPPER ALLOY 0.20mm THICKNESS PLATING NI.

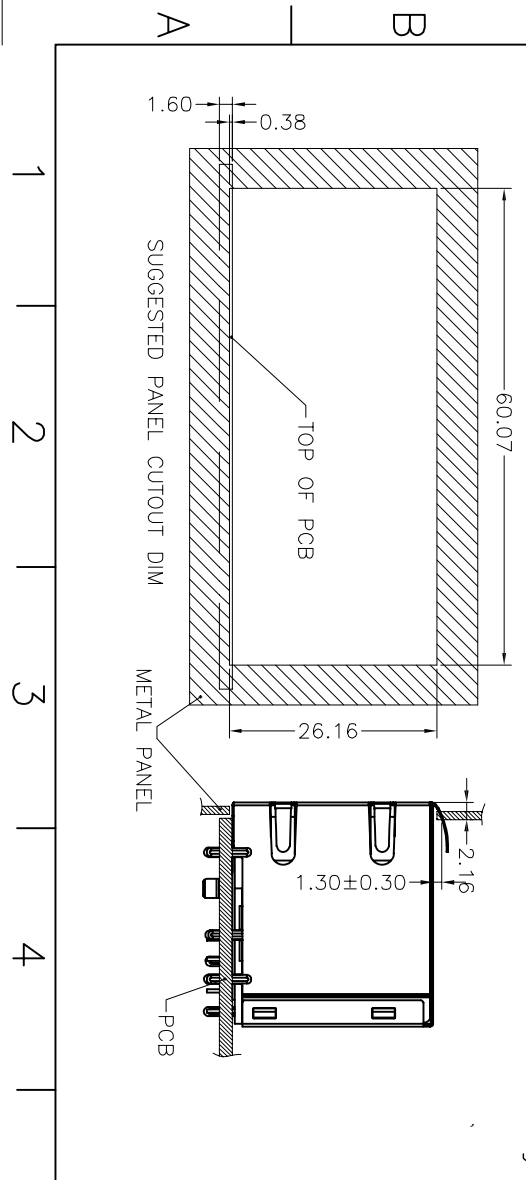
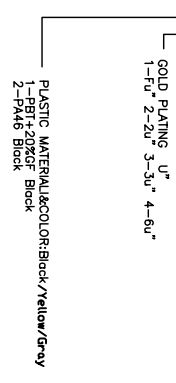
ELECTRICAL:
1. VOLTAGE RATING :125 VAC RMS.
2. CURRENT RATING :1.5 AMP.
3. CONTACT RESISTANCE :50 MILLIOHMS MAX.
4. INSULATION RESISTANCE :500 MEGOHMS MIN @ 500V DC.
5. DIELECTRIC WITHSTANDING RESISTANCE :1000V AC RMS 50Hz. 1MIN.

MECHANICAL:
1. DURABILITY :750 CYCLES MIN.
2. PCB RETENTION PRE-SOLDER :1 LB MIN.

ENVIRONMENTAL:
1. STORAGE : -40°C TO +85°C.
2. OPERATION : 0°C TO 70°C.
MATES WITH MODULAR PLUG CONFORMING TO FCC PART 68, SUBPART F.



PART NUMBER: 59A-S2488A-E2XX



HTTP://WWW.RJ45JACK.COM		YOU LONG ELECTRONICS LIMITED	
QC	Inspection Item	文件号	59A 2x4 8P9C PCB JACK&SHIELDED WITH EMI FINGER SIDE ENTRY ROUND PIN
CPK	Cp/Cpk and SPC Control Item	图号	YL59A-S2488A-E2
DIMENSION IN mm [Inch]		公差	DWG NO.
TOLERANCE UNLESS OTHERWISE SPECIFIED		.XX±0.20	X.±1°
		.XXX±0.15	.X.±0.5°
		.XXXX±0.075	
批准	Check	审核	Oscdr
比例	SCALE	图例	1:1
比例	SCALE	图例	A3
数量	REV	数量	1
数量	REV	数量	A