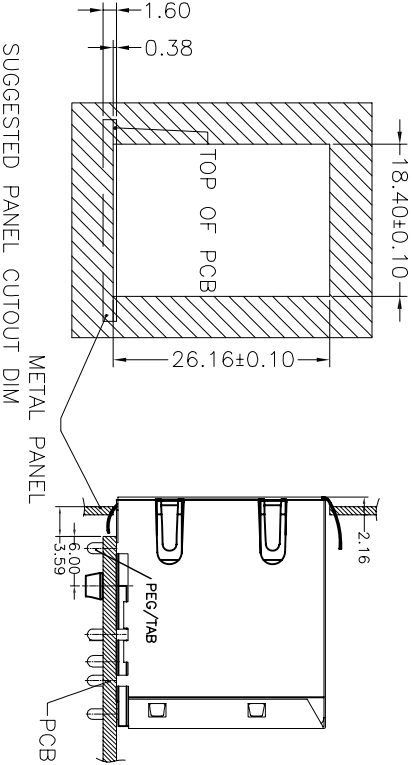
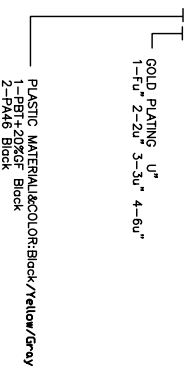
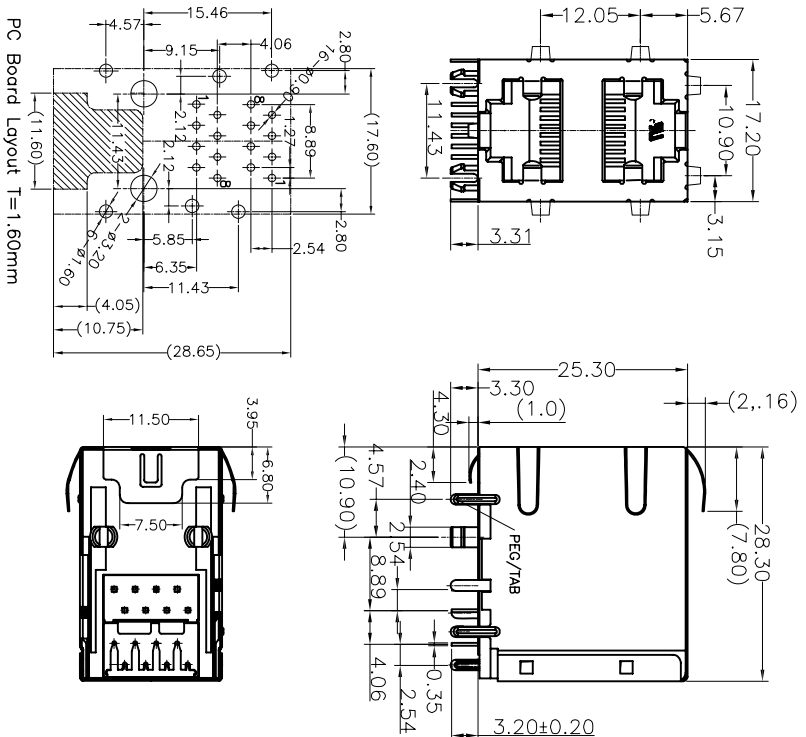


REV	变更内容 MODIFICATION	日期 DATE	制图 DRAW	审核 APPROVE
A	版面发行	2012/10/29	JDL	Oscar

NOTES:

- MATERIAL:**
- HOUSING MATERIAL :GLASS FILLED POLYESTER(U194V-0).
 - CONTACT MATERIAL :PHOSPHOR BRONZE $\phi 0.46\text{mm}$ (C51100).
 - PLATING :GOLD PLATING OVER NICKEL.
 - SHIELD COPPER ALLOY 0.20mm THICKNESS PLATING NI.
- ELECTRICAL:**
- VOLTAGE RATING :125 VAC RMS.
 - CURRENT RATING :1.5 AMP.
 - CONTACT RESISTANCE :50 MILLIOHMS MAX.
 - INSULATION RESISTANCE :500 MEGOHMS MIN @ 500V DC.
 - DIELECTRIC WITHSTANDING RESISTANCE :1000V AC RMS 50Hz. 1MIN.
- MECHANICAL:**
- DURABILITY :750 CYCLES MIN.
 - PCB RETENTION PRE-SOLDER :1 LB MIN.
- ENVIRONMENTAL:**
- STORAGE : -40°C TO $+85^{\circ}\text{C}$.
 - OPERATION : 0°C TO 70°C .
- MATES WITH MODULAR PLUG CONFORMING TO FCC PART 68,SUBPART F.

PART NUMBER: 59A-S2188A-E5XX



HTTP://WWW.RJ45JACK.COM		YOU LONG CONNECT THE WORLD	
DIMENSION IN mm [Inch]		YOU LONG ELECTRONICS LIMITED	
TOLERANCE UNLESS OTHERWISE SPECIFIED		图号 FILE NO.	
$.X \pm 0.20$		$X \pm 1^{\circ}$	
$.XXX \pm 0.15$		$X \pm 0.5^{\circ}$	
$.XXXX \pm 0.075$		规格 TITLE	
检验 APPROVE		59A 2X1 8PBC PCB JACK&SHIELDED WITH Backward EMI FINGERSIDE ENTRY,ROUND PIN	
检查 CHECK		制图 DRAW	
:Inspection Item		Oscar	
:Cp/Cpk and SPC Control Item		审核 SCALE	
		比例 SCALE	
		图幅 SIZE	
		张数 SHEET	
		版本 REV	
		页次 A	

If you have any questions,Don't hesitate to email sales@rj45jack.com,please!