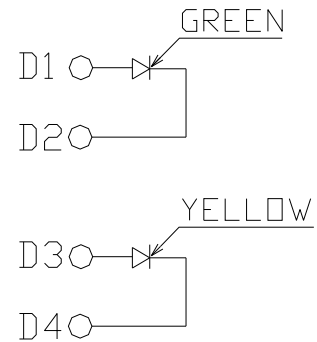


SUGGESTED PCB LAYOUT
(TOP VIEW)



ELECTRICAL SPECIFICATIONS @ 25°C +/- 5°C unless otherwise noted:

Insertion Loss: 1-100MHZ -1.0dB MAX

Return Loss: 1-30MHZ -16.0dB MIN
30-60MHZ -14.0dB MIN
60-80MHZ -10.0dB MIN

Cross Talk: 1-30MHZ -40.0dB MIN
30-60MHZ -35.0dB MIN
60-80MHZ -30.0dB MIN

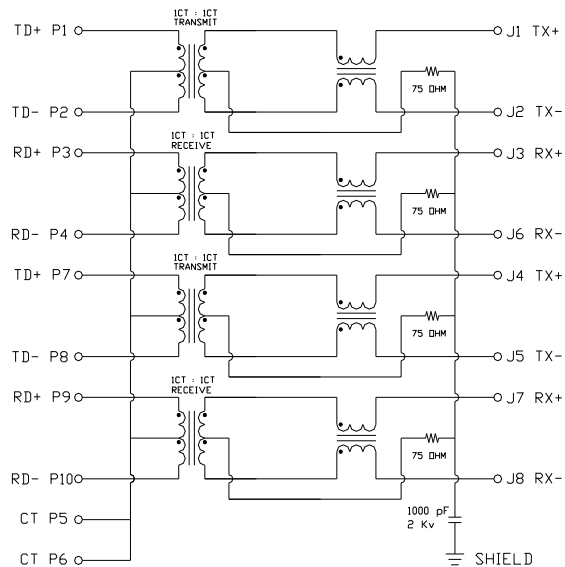
CMR: 1-100MHZ -35.0dB MIN

Hi-Pot: 1500v AC 6S 1mA

OCL: 350uH MIN @ 100KHZ 100mV 8mA DC

Contacts: 0.35mm thick phos bronze plated with 6u' gold in contact area

Operating temperature range: -40°C to +85°C



Turn Ratio: 1CT:1CT+/-3%

Housing Material: PBT Black

Elecpart
友隆电子
Drafted by CZ Lin

UNIT: mm
 .xx +/-0.25 .xxx +/-0.13
1000BASE
1X1Tab-Down RJ45

Approved By : Herman Au
P/N: HRJ-YL1Q017M110cSNL
 Sheet 1 of 1
 REV. A