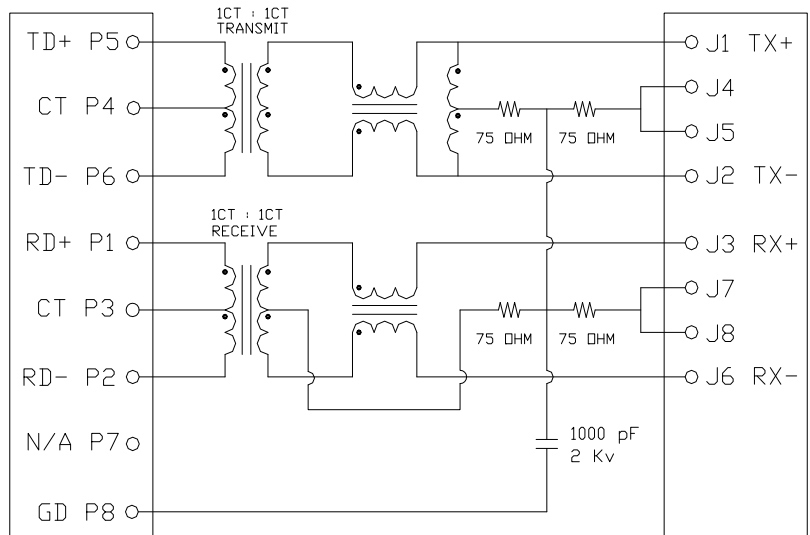


SUGGESTED PCB LAYOUT
(TOP VIEW)

ELECTRICAL SPECIFICATIONS @ 25°C+/-5°C unless otherwise noted:

- Insertion Loss: 1-100MHZ -1.0dB MAX**
- Return Loss: 1-30MHZ -16.0dB MIN**
- 30-60MHZ -14.0dB MIN**
- 60-80MHZ -10.0dB MIN**
- Cross Talk: 1-30MHZ -40.0dB MIN**
- 30-60MHZ -35.0dB MIN**
- 60-80MHZ -30.0dB MIN**
- CMR: 1-100MHZ -35.0dB MIN**
- Hi-Pot: 1500v AC 6S 1mA**
- OCL:350uH MIN @ 100KHZ 100mV 8mA DC**



Contacts: 0.35mm thick phos bronze plated with 6u' gold in contact area

Turn Ratio: 1CT:1CT+/-3%

Operating temperature range:0°C to +70°C

Housing Material: NY46 Black

ELECPART	UNIT: mm .xx +/-0.25 .xxx +/-0.13	Approved By :Joan pan	
	10/100BASE 1X1Tab-Up RJ45	P/N:HRJ-YL1B031M2645FNL	REV. A
Drafted by Lin Ye	Sheet 1 of 1		