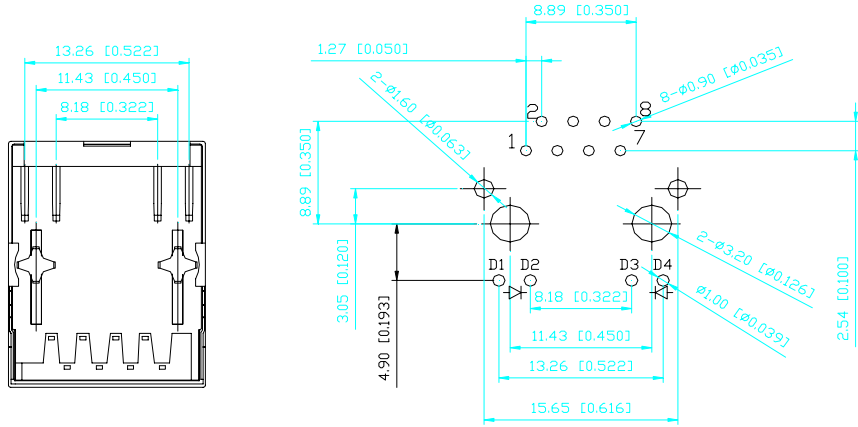
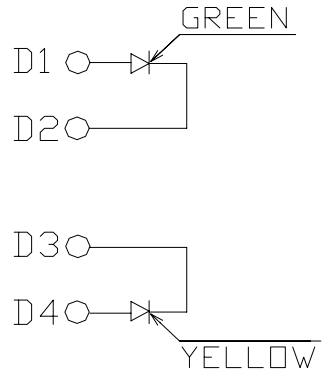


RECOMMENDED PANEL CUTOUT DIMENSION

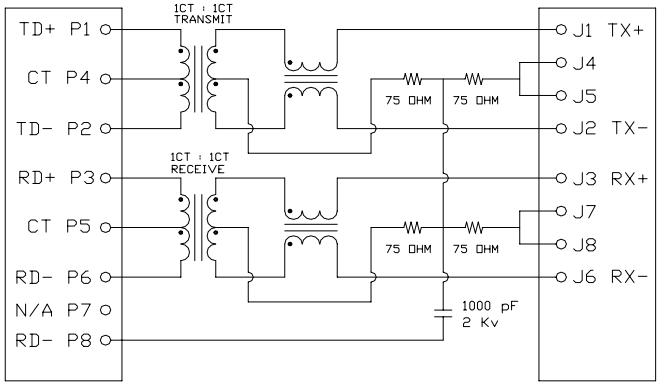


SUGGESTED PCB LAYOUT (TOP VIEW)



**ELECTRICAL SPECIFICATIONS @ 25°C +/- 5°C unless otherwise noted:**

- Insertion Loss: 1-100MHZ -1.0dB MAX**
- Return Loss: 1-30MHZ -16.0dB MIN**  
**30-60MHZ -14.0dB MIN**  
**60-80MHZ -10.0dB MIN**
- Cross Talk: 1-30MHZ -40.0dB MIN**  
**30-60MHZ -35.0dB MIN**  
**60-80MHZ -30.0dB MIN**
- CMR: 1-100MHZ -35.0dB MIN**
- Hi-Pot: 1500v AC 6S 1mA**



**OCL: 350uH MIN @ 100KHZ 100mV 8mA DC**      **Turn Ratio: 1CT:1CT +/- 3%**

**Contacts: 0.35mm thick phos bronze plated with 6u' gold in contact area**

**Operating temperature range: 0°C to +70°C**      **Housing Material: PBT Black**

	<b>UNIT: mm</b> .xx +/-0.25 .xxx +/-0.13	<b>Approved By : Joan Pan</b>	
	<b>10/100BASE</b> <b>1X1Tab-Down RJ45</b>	<b>P/N: HRJ-YL0805SNL</b>	<b>REV. A</b>
<b>Drafted by Lin Ye</b>	<b>Sheet 1 of 1</b>		