

| | | | | |
|-----|----------------------|------------|------------|---------------|
| REV | 变更内容 MODIFICATION | 日期 DATE | 制图 DRAW | 批准 APPROVE |
| A | 版面发行 | 2012/10/29 | JDL | Oscar |
| | | | | |

NOTES:

- ELECTRICAL:**
- VOLTAGE RATING : 125 VAC RMS.
 - CURRENT RATING : 1.5 AMP.
 - CONTACT RESISTANCE : 50 MILLIOHMS MAX.
 - INSULATION RESISTANCE: 500 MEGOHMS MIN @ 500 VDC.
 - DIELECTRIC STRENGTH : 1000 VAC RMS 50Hz, 1MIN.

MECHANICAL:

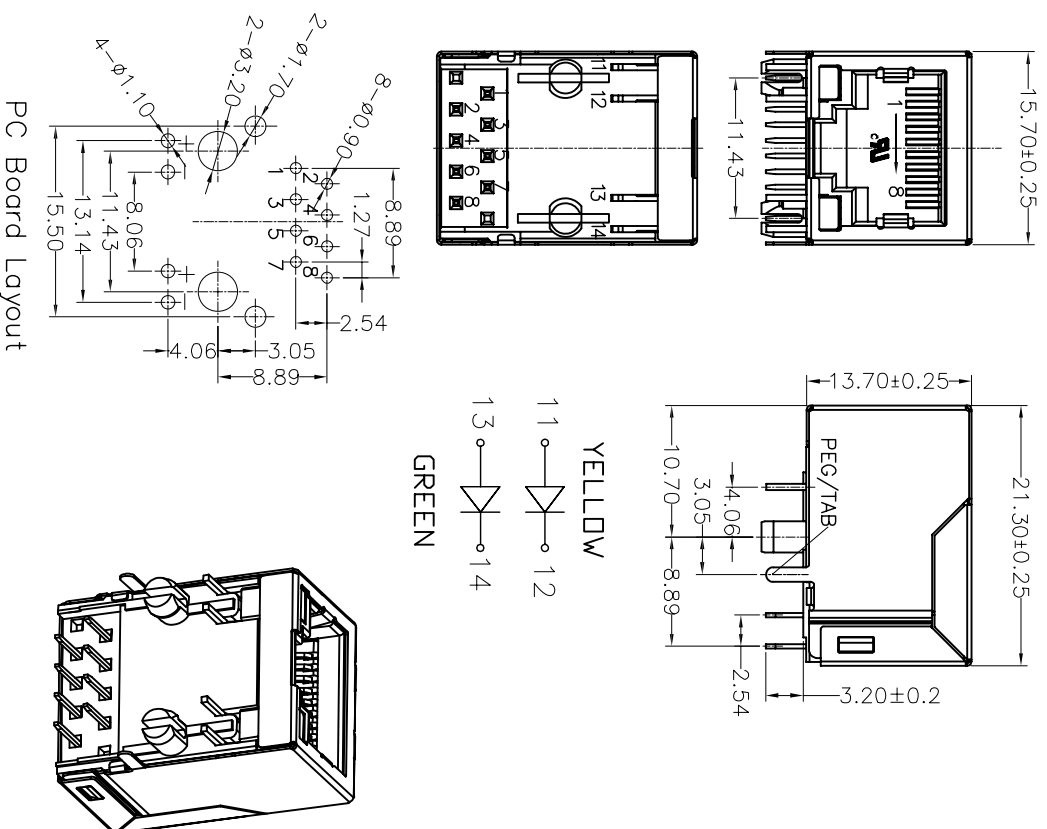
- HOUSING MATERIAL : NYLON+30%G.F UL94V-0.
- CONTACT MATERIAL : PHOSPHOR BRONZE Ø0.46mm
- PLATING : GOLD PLATING OVER NICKEL.
- SHIELD: COPPER ALLOY(OR STEEL ALLOY) 0.20mm THICKNESS PLATING NI.
- LED:OPTION
- OPERATING LIFE : 750 CYCLES MIN.
- PCB RETENTION : PRE-SOLDER : 1 LB MIN.
- PCB RETENTION POST-SOLDER: 10 LBS MIN.

ENVIRONMENTAL:

- STORAGE : -40°C TO +85°C.
 - OPERATION: 0°C TO +70°C.
 - WAVE SOLDERING TEMPERATURE: 255~265° (5~10SECONDS).
 - ROHS COMPLIANT
- MATES WITH MODULAR PLUG CONFORMING TO FCC PART 68, SUBPART F.

PART NUMBER: 59A-S1108B-L1XX

GOLD PLATING "U"
1-10" 2-20" 3-30" 4-60"
PLASTIC MATERIAL:COLOR:Black/Yellow/Gray
1-FBT+20KGF Black
2-PA46 Black



PC Board Layout

| | | | |
|--------------------------------------|--|--|--|
| HTTP://WWW.RJ45JACK.COM | | YOU LONG CONNECT THE WORLD | |
| :Inspection Item | | YOU LONG ELECTRONICS LIMITED | |
| :Cp/Cpk and SPC Control Item | | 图号 FILE NO. | |
| DIMENSION IN mm [Inch] | | 图号 DWG NO. YL59A-S1108B-L1 | |
| TOLERANCE UNLESS OTHERWISE SPECIFIED | | 标题 TITLE | |
| .X±0.20 X*±1* | | 59A 1X1 8P8C LED PCB JACK WITH SHIELDED SIDE ENTRY ROUND PIN | |
| .XX±0.15 .X*±0.5* | | 比例 SCALE | |
| .XXX±0.075 | | 1:1 | |
| 批准 APPROVE | | 制图 DRAW | |
| 检查 CHECK | | 审核 SCALE | |
| Oscar | | A3 | |
| | | 1 | |
| | | A | |

If you have any questions, Don't hesitate to email sales@rj45jack.com, please!