

REV	变更内容 MODIFICATION	日期 DATE	制图 DRAW	审核 APPROVE
A	版面发行	2012/10/29	JDL	Oscar

NOTES:

ELECTRICAL:

- VOLTAGE RATING : 125 VAC RMS.
- CURRENT RATING : 1.5 AMP
- CONTACT RESISTANCE : 50 MILLIOHMS MAX.
- INSULATION RESISTANCE: 500 MEGOHMS MIN @ 500 VDC.
- DIELECTRIC STRENGTH : 1000 VAC RMS 50HZ, 1MIN.

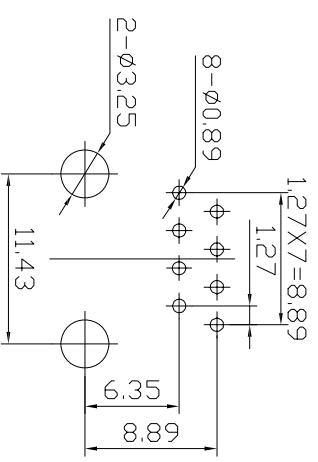
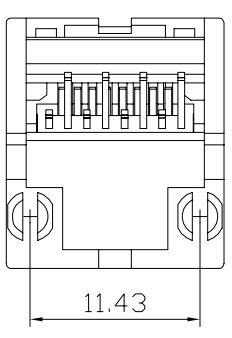
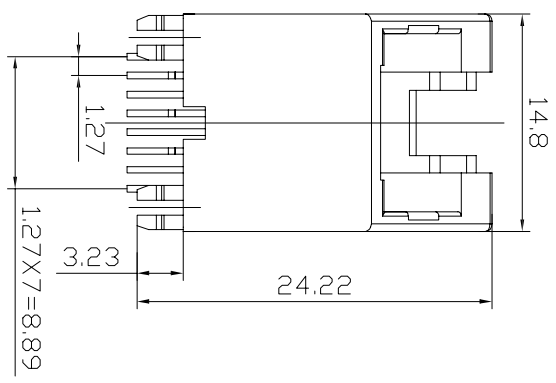
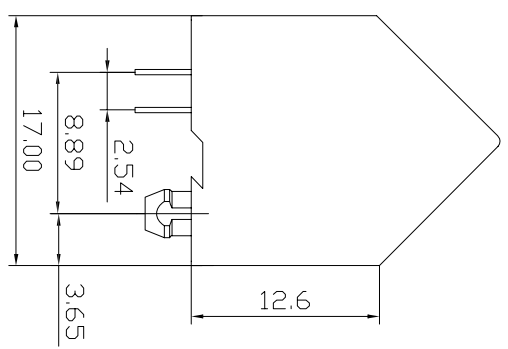
MECHANICAL:

- HOUSING MATERIAL : GLASS FILLED POLYESTER UL94V-0
- CONTACT MATERIAL : PHOSPHOR BRONZE $\phi 0.46\text{mm}$.
- PLATING : GOLD PLATING OVER NICKEL.
- SHIELD : COPPER ALLOY(OR STEEL ALLOY) 0.20mm THICKNESS PLATING NI.
- OPERATING LIFE : 750 CYCLES MIN.
- PCB RETENTION PRE-SOLDER : 1 LB MIN.
- PCB RETENTION POST-SOLDER: 10 LBS MIN.

ENVIRONMENTAL:

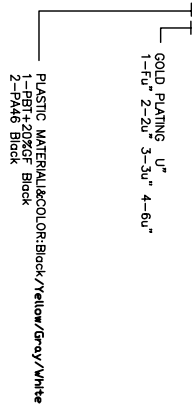
- STORAGE : -40°C TO +85°C.
- OPERATION : -40°C TO +85°C.
- ROHS COMPLIANT

MATES WITH MODULAR PLUG CONFORMING TO FCC PART 68, SUBPART F.



PC Board Side Layout
Component Side Shown

PART NUMBER: 52F-N1188-XX



HTTP://WWW.RJ45JACK.COM		YOU LONG CONNECT THE WORLD	
YOU LONG ELECTRONICS LIMITED		YOU LONG ELECTRONICS LIMITED	
DIMENSION IN mm [Inch]		公差等级 TOLERANCE UNLESS OTHERWISE SPECIFIED	
.X±0.20 X.±1°		公差等级 OTHERWISE SPECIFIED	
.XX±0.15 .X.±0.5°		公差等级 FILE NO.	
.XXX±0.075		公差等级 DWG NO. YL52F-N1188	
: Inspection Item		名称 TITLE	
: Cp/Cpk and SPC Control Item		52F 1X1 8P8C PCB JACK W/D SHIELD	
		TOP ENTRY, FLAT PIN	
		制图 DRAW	
		Oscar	
		审核 SCALE	
		1:1	
		图幅 SIZE	
		A3	
		审核 REV	
		1	
		A	

If you have any questions, Don't hesitate to email sales@rj45jack.com, please!