

REV	变更内容 MODIFICATION	日期 DATE	制图 DRAW	审核 APPROVE
A	版面发行	2012/10/29	JDL	Oscar

NOTES:

ELECTRICAL:

- VOLTAGE RATING : 125 VAC RMS.
- CURRENT RATING : 1.5 AMP
- CONTACT RESISTANCE : 50 MILLIOHMS MAX.
- INSULATION RESISTANCE: 500 MEGOHMS MIN @ 500 VDC.
- DIELECTRIC STRENGTH : 1000 VAC RMS 50HZ, 1MIN.

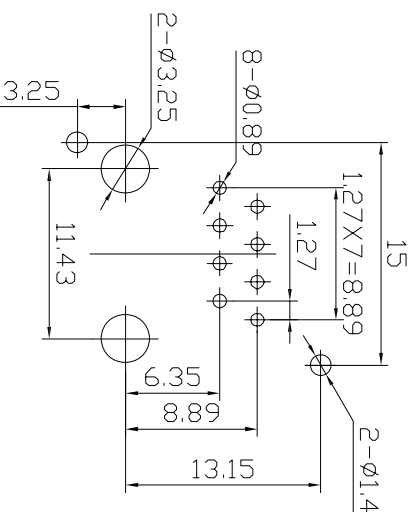
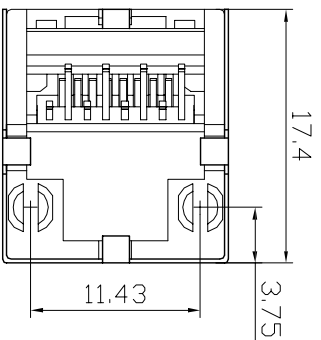
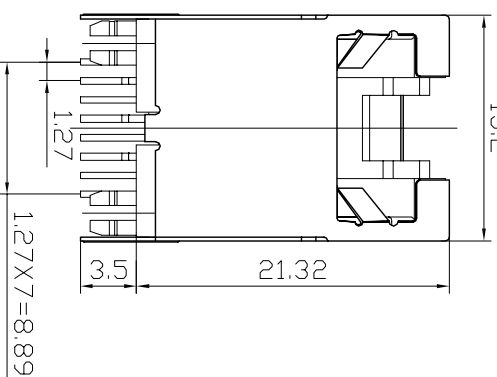
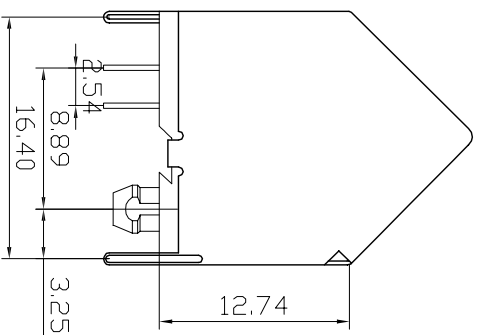
MECHANICAL:

- HOUSING MATERIAL : GLASS FILLED POLYESTER UL94V-0
- CONTACT MATERIAL : PHOSPHOR BRONZE $\phi 0.46$ mm.
- PLATING : GOLD PLATING OVER NICKEL.
- SHIELD : COPPER ALLOY(OR STEEL ALLOY) 0.20mm THICKNESS PLATING NI.
- OPERATING LIFE : 750 CYCLES MIN.
- PCB RETENTION PRE-SOLDER : 1 LB MIN.
- PCB RETENTION POST-SOLDER: 10 LBS MIN.

ENVIRONMENTAL:

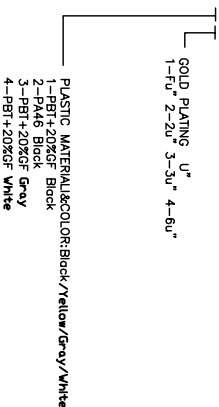
- STORAGE : -40°C TO +85°C.
- OPERATION : -40°C TO +85°C.
- ROHS COMPLIANT

MATES WITH MODULAR PLUG CONFORMING TO FCC PART 68, SUBPART F.



PC Board Side Layout
Component Side Shown

PART NUMBER: 52F-S1188-XX



HTTP://WWW.RJ45JACK.COM		YOU LONG CONNECT THE WORLD	
YOU LONG ELECTRONICS LIMITED		YOU LONG ELECTRONICS LIMITED	
DIMENSION IN mm [Inch]		图号 FILE NO.	图号 DWG NO.
TOLERANCE UNLESS OTHERWISE SPECIFIED		YLS2F-S1188	
.X±0.20	X.±1"	52F 1X1 8P8C PCB JACK WITH SHIELD	
.XX±0.15	.X.±0.5"	45° TOP ENTRY FLAT PIN	
.XXX±0.075		Oscar	
检验 APPROVE	检查	制图 DRAW	审核 SCALE
		比例 SCALE	图幅 SIZE
		比例 SCALE	图幅 SIZE
		审核 REV	图幅 SIZE



If you have any questions, Don't hesitate to email sales@rj45jack.com, please!