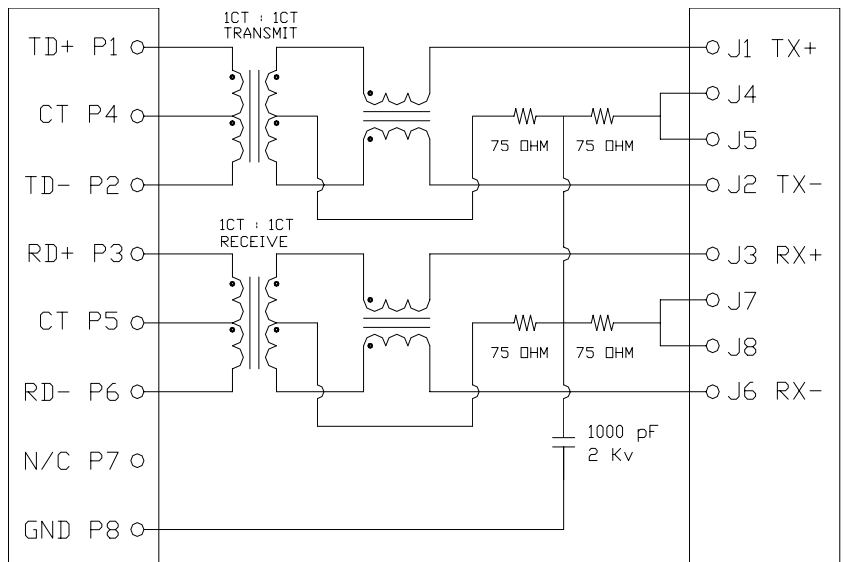


SUGGESTED PCB LAYOUT
(TOP VIEW)

ELECTRICAL SPECIFICATIONS @ 25°C+/-5°C unless otherwise noted:

- Insertion Loss: 1-100MHZ -1.0dB MAX**
- Return Loss: 1-30MHZ -16.0dB MIN**
30-60MHZ -14.0dB MIN
60-80MHZ -10.0dB MIN
- Cross Talk: 1-30MHZ -40.0dB MIN**
30-60MHZ -35.0dB MIN
60-80MHZ -30.0dB MIN
- CMR: 1-100MHZ -35.0dB MIN**
- Hi-Pot: 1500v AC 6S 1mA**
- OCL:350uH MIN @ 100KHZ 100mV 8mA DC**



Contacts: 0.35mm thick phos bronze plated with 6u' gold in contact area

Turn Ratio: 1CT:1CT+/-3%

Operating temperature range: 0°C to +70°C

Housing Material: PBT Black



UNIT: mm
.xx +/-0.25 .xxx +/-0.13

Approved By : Herman Au

10/100BASE
1X1Tab-Up RJ45

P/N:HRJ-YL1B013M1015BNL

REV.
A

Drafted by CZ Lin

Sheet 1 of 1