

更改 REV	变更内容 MODIFICATION	日期 DATE	制图 DRAW	审核 APPROVE
A	版面发行	2012/10/29	JDL	Oscar

NOTES:

ELECTRICAL:

- VOLTAGE RATING : 125 VAC RMS.
- CURRENT RATING : 1.5 AMP.
- CONTACT RESISTANCE : 50 MILLIOHMS MAX.
- INSULATION RESISTANCE: 500 MEGOHMS MIN @ 500 VDC.
- DIELECTRIC STRENGTH : 1000 VAC RMS 50HZ, 1MIN.

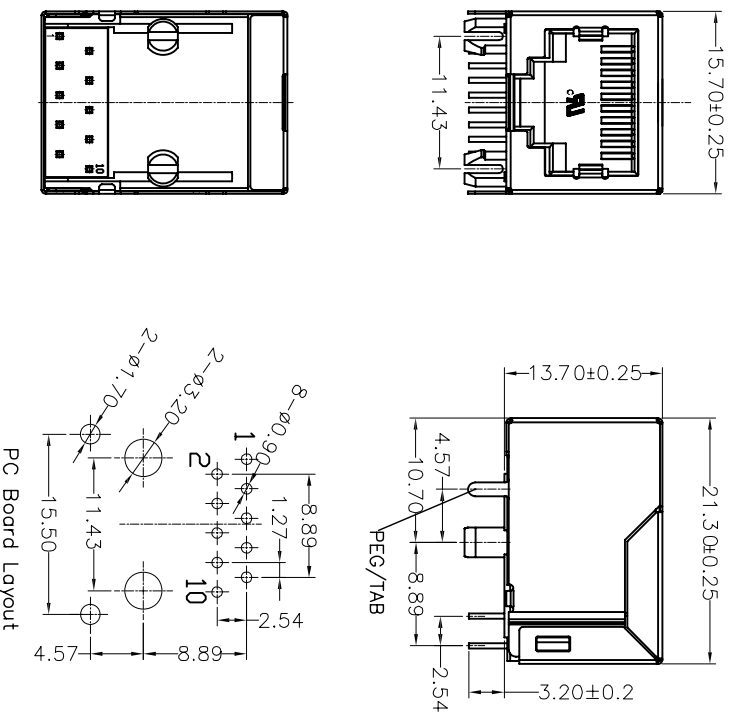
MECHANICAL:

- HOUSING MATERIAL : NYLON+30%G-F UL94V-0.
- CONTACT MATERIAL : PHOSPHOR BRONZE ϕ 0.46mm.
- PLATING : GOLD PLATING OVER NICKEL.
- SHIELD COPPER ALLOY(OR STEEL ALLOY) 0.20mm THICKNESS PLATING NI.
- LED-OPTION
- OPERATING LIFE : 750 CYCLES MIN.
- PCB RETENTION PRE-SOLDER : 1 LB MIN.
- PCB RETENTION POST-SOLDER: 10 LBS MIN.

ENVIRONMENTAL:

- STORAGE : -40°C TO +85°C.
- OPERATION: 0°C TO +70°C.
- WAVE SOLDERING TEMPERATURE: 255~265° (5~10SECONDS).
- ROHS COMPLIANT
- MATES WITH MODULAR PLUG CONFORMING TO FCC PART 68, SUBPART F.

PART NUMBER: 59A-S1110A-XX



PC Board Layout

GOLD PLATING U"
1-Fu" 2-2u" 3-3u" 4-6u"
PLASTIC MATERIAL&COLOR:Black/Yellow/Green
1-PA1+292G Block
2-PA10 Block

HTTP://WWW.RJ45JACK.COM		YOU LONG CONNECT THE WORLD	
DIMENSION IN mm [Inch]		YOU LONG ELECTRONICS LIMITED	
TOLERANCE UNLESS OTHERWISE SPECIFIED		图号 FILE NO.	
.X±0.20	X*±1"	图号 DWG NO. YL59A-S1110A	
.XX±0.15	.X*±0.5"	标题 TITLE	
.XXX±0.075		59A 1X1 10P10C PCB JACK WITH SHIELDED SIDE ENTRY ROUND PIN	
检验 APPROVE	检查 CHECK	制图 DRAW	审核 SCALE
		Oscar	1:1
		A3	1
		REV	A

If you have any questions, Don't hesitate to email sales@rj45jack.com, please!