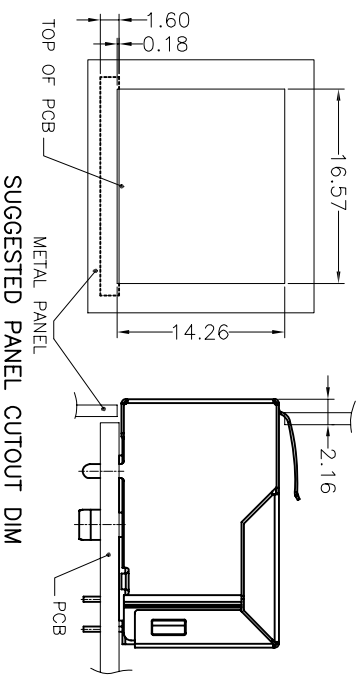
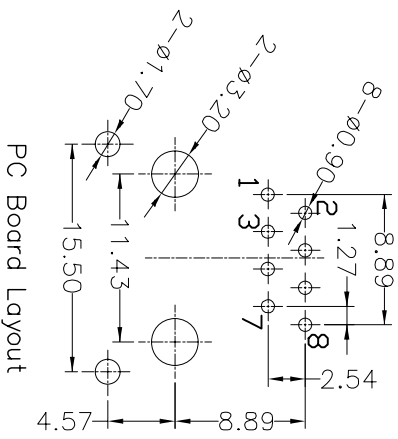
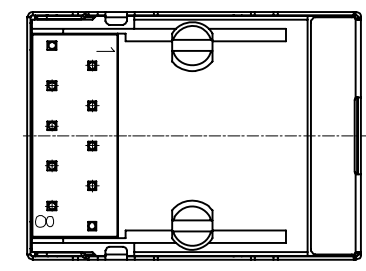
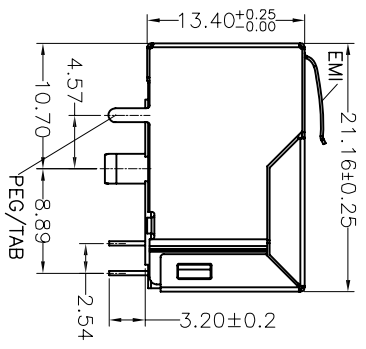
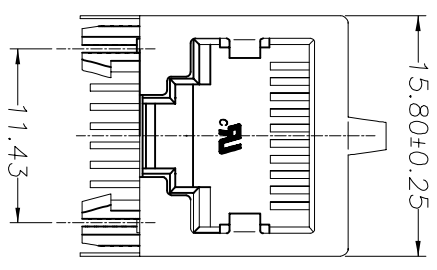


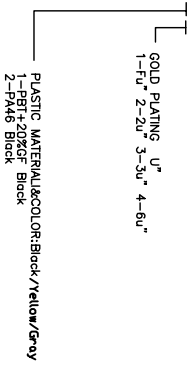


更改 REV	变更内容 MODIFICATION	日期 DATE	制图 DRAW	审核 APPROVE
A	版面发行	2012/10/29	JDL	Oscar



- NOTES:
- ELECTRICAL:**
- VOLTAGE RATING : 125 VAC RMS.
  - CURRENT RATING : 1.5 AMP.
  - CONTACT RESISTANCE : 50 MILLIOHMS MAX.
  - INSULATION RESISTANCE: 500 MEGOHMS MIN @ 500 VDC.
  - DIELECTRIC STRENGTH : 1000 VAC RMS 50Hz, 1MIN.
- MECHANICAL:**
- HOUSING MATERIAL : NYLON+30%G-F UL94V-0.
  - CONTACT MATERIAL : PHOSPHOR BRONZE  $\phi$ 0.46mm.
  - PLATING : GOLD PLATING OVER NICKEL.
  - SHIELD COPPER ALLOY(OR STEEL ALLOY) 0.20mm THICKNESS PLATING NI.
  - LED-OPTION
  - OPERATING LIFE : 750 CYCLES MIN.
  - PCB RETENTION PRE-SOLDER : 1 LB MIN.
  - PCB RETENTION POST-SOLDER: 10 LBS MIN.
- ENVIRONMENTAL:**
- STORAGE : -40°C TO +85°C.
  - OPERATION: 0°C TO +70°C.
  - WAVE SOLDERING TEMPERATURE: 255~265° (5~10SECONDS).
  - ROHS COMPLIANT
  - MATES WITH MODULAR PLUG CONFORMING TO FCC PART 68, SUBPART F.

PART NUMBER: 59A-S1108A-E4XX



HTTP://WWW.RJ45JACK.COM		YOU LONG CONNECT THE WORLD	
:Inspection Item		YOU LONG ELECTRONICS LIMITED	
:Cp/Cpk and SPC Control Item		TITLE 59A 1X1 8P8C PCB JACK & SHIELDED WITH A BACK VARD EMI FINGER, SIDE ENTRY, ROUND PIN	
DIMENSION IN mm [Inch]		图号 FILE NO.	图号 DWG NO.
TOLERANCE UNLESS OTHERWISE SPECIFIED		YL59A-S1108A-E4	
.X±0.20	X*±1"		
.XX±0.15	.X*±0.5"		
.XXX±0.075			
批准 APPROVE	检查 CHECK	制图 DRAW	审核 SCALE
		Oscar	1:1
			图框 SIZE A3
			数量 REV 1
			页次 A