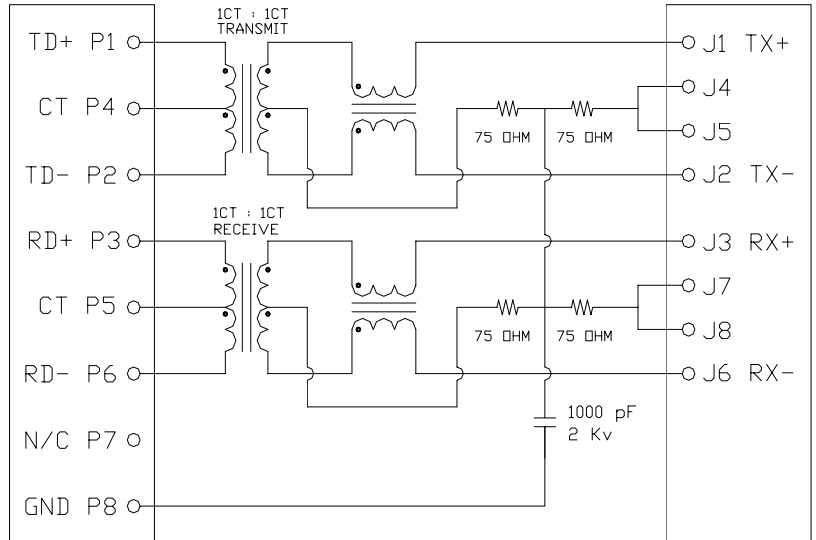


ELECTRICAL SPECIFICATIONS @ 25°C +/- 5°C unless otherwise noted:

- Insertion Loss:** 1-100MHZ -1.0dB MAX
- Return Loss:** 1-30MHZ -16.0dB MIN
30-60MHZ -14.0dB MIN
60-80MHZ -10.0dB MIN
- Cross Talk:** 1-30MHZ -40.0dB MIN
30-60MHZ -35.0dB MIN
60-80MHZ -30.0dB MIN
- CMR:** 1-100MHZ -35.0dB MIN
- Hi-Pot:** 1500v AC 6S 1mA
- OCL:** 350uH MIN @ 100KHZ 100mV 8mA DC



Contacts: 0.35mm thick phos bronze plated with 6u' gold in contact area

Turn Ratio: 1CT:1CT +/- 3%

Operating temperature range: 0°C to +70°C

Housing Material: PBT Black



UNIT: mm
.xx +/-0.25 .xxx +/-0.13

Approved By : Herman Au

10/100BASE
1X2Tab-Up RJ45

P/N:HRJ-YL2B027M2015BNL

REV.
A

Drafted by CZ Lin

Sheet 1 of 1