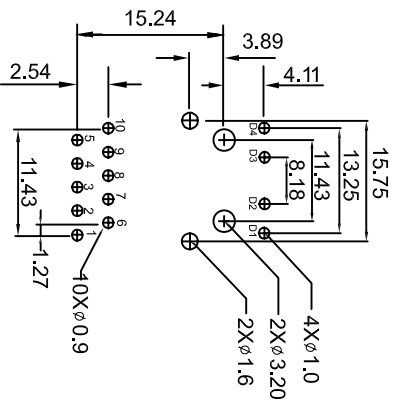
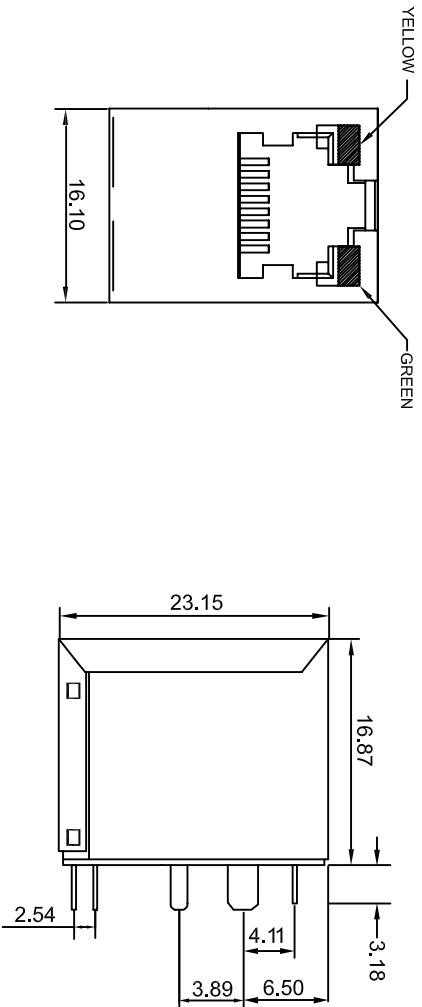
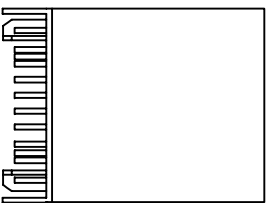


1 Port RJ-45 Jack Top Entry With 100/1000 Base-T Magnetics Module



SUGGESTED PCB LAYOUT
(TOP VIEW)



REV	变更内容 MODIFICATION	日期 DATE	制图 DRAW	审核 APPROVE
A	版面发行	2012/10/29	JDL	Oscar

DESCRIPTION

RJ45 With Internal Magnetics Connector

Designed to support such applications as: Ethernet Equipment Complex, Switches, Routers, Firewalls, Servers and Hub. Internal magnetics are 100% electrically tested for functionality per IEEE802.3 requirement.

ELECTRICAL:

RoHS peak wave solder temperature rating 235°
High performance for maximum EMI suppression
350uH minimum OCL with 8mA bias current
PoE rating: 15W, 350mA, 48V (For PoE Products only)

JACK CAVITY CONFORMS TO FCC RULES AND REGULATIONS, PART 68 SUBPART F.

MECHANICAL:

INSERTION FORCE: 2 CONTACTS-----350g 4 CONTACTS-----500g
6 CONTACTS-----750g 8 CONTACTS-----900g
10 CONTACTS-----1050g
RETENTION STRENGTH: 7.7Kgs BETWEEN JACK AND PLUG
DURABILITY: 750 MATING CYCLES Mini

HOUSING: 1) GLASS FILLED PA66 (UL 94V-0)
2) GLASS FILLED PA46/LCP (UL 94V-0)

MATERIAL:

SPRING WIRE: 1) 0.2-0.45mm DIA PHOSPHOR BRONZE GOLD PLATING OVER NICKEL
2) 0.2-0.35mm THICKNESS PHOSPHOR BRONZE ALLOY SELECTIVE GOLD PLATING OVER NICKEL
SHIELDING: 0.12-0.24mm THICKNESS COPPER ALLOY WITH TIN PLATED
GOLD PLATING: 3μ", 6μ", 15μ", 30μ", 50μ"
WORKING TEMPERATURE: -40°C to +85°C

TOLERANCES UNLESS OTHERWISE SPECIFIED: 0~10±0.15, 10~20±0.2, 20~40±0.25, 40~70±0.3, >70±0.4

D1 → D2 GREEN
D3 → D4 YELLOW

HTTP://WWW.RJ45JACK.COM

DIMENSION IN mm [Inch]

TOLERANCE UNLESS OTHERWISE SPECIFIED

.X±0.20	X.±1"
.XX±0.15	.X.±0.5"
.XXX±0.075	

QC : Inspection Item
CPK : Cp/Cpk and SPC Control Item

批准	检查
批准	检查

YOU LONG CONNECT THE WORLD

YOU LONG ELECTRONICS LIMITED

文件号 HRJ-YL52L1000VNL

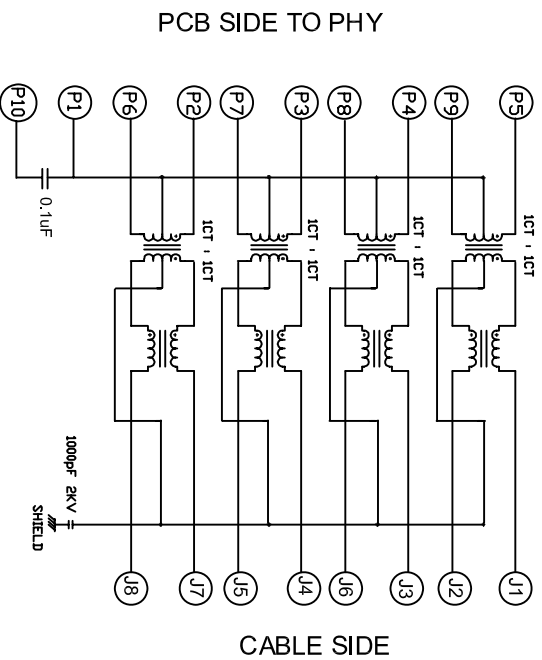
100/1000Base-T Magnetics Module RJ45 PCB JACK WITH SHIELDED, TOP ENTRY, TAB-UP, Flat PIN

制图	审核	批准
Oscar		

If you have any questions, Don't hesitate to email sales@rj45jack.com, please!

ELECTRICAL SPECIFICATIONS @ 25°C+/-5°C unless otherwise noted:

Schematics:



Insertion Loss: 1-100MHZ -1.0dB MAX

Return Loss: 1-30MHZ -18.0dB MIN

30-60MHZ -16.0dB MIN

60-100MHZ -12.0dB MIN

Cross Talk: 1-30MHZ -40.0dB MIN

30-60MHZ -35.0dB MIN

60-100MHZ -30.0dB MIN

CMR: 1-50MHZ -30.0dB MIN

50-150MHZ -20.0dB MIN

Hi-Pot: 1500V AC 6S 0.5mA

OCL:350uH MIN @ 100KHZ 100mV 8mA DC

Turn Ratio: 1CT:1CT+/-3%

PART NUMBER: HRJ-YL52L1000VNL-XX

- GOLD PLATING U"
 - 1-FU" 2-2U" 3-3U" 4-6U"
 - 5-5U" 6-30U"
- PLASTIC MATERIAL&COLOR:Black/Yellow/Gray
 - 1-PA46 Black
 - 2-PA46 Black

REV	更改内容 MODIFICATION	日期 DATE	制图 DRAW	审核 APPROVE
A	版面发行	2012/10/29	JDL	Oscar

HTTP://WWW.RJ45JACK.COM		YOU LONG ELECTRONICS LIMITED	
:Cp/Cpk and SPC Control Item		YOU LONG CONNECT THE WORLD	
:Inspection Item		TITLE 100/1000Base-T Magnetics Module RJ45 PCB JACK WITH SHIELDED , TDP ENTRY,TAB-UP,Flat PIN	
DIMENSION IN mm [Inch]		文件号 FILE NO.	图号 DWG NO.
TOLERANCE UNLESS OTHERWISE SPECIFIED		HRJ-YL52L1000VNL	
.X±0.20	X.*± 1"		
.XX±0.15	.X*± 0.5"		
.XXX±0.075			
公差 APPROX	公差 CHECK	比例 DRAW	审核 SCALE
		Oscdr	1:1
		图幅 SIZE	图例 SCALE
		A3	1
			1

If you have any questions,Don't hesitate to email sales@rj45jack.com,please!