

**ELECTRICAL SPECIFICATIONS @ 25°C +/- 5°C unless otherwise noted:**

**Insertion Loss: 1-100MHZ -1.0dB MAX**

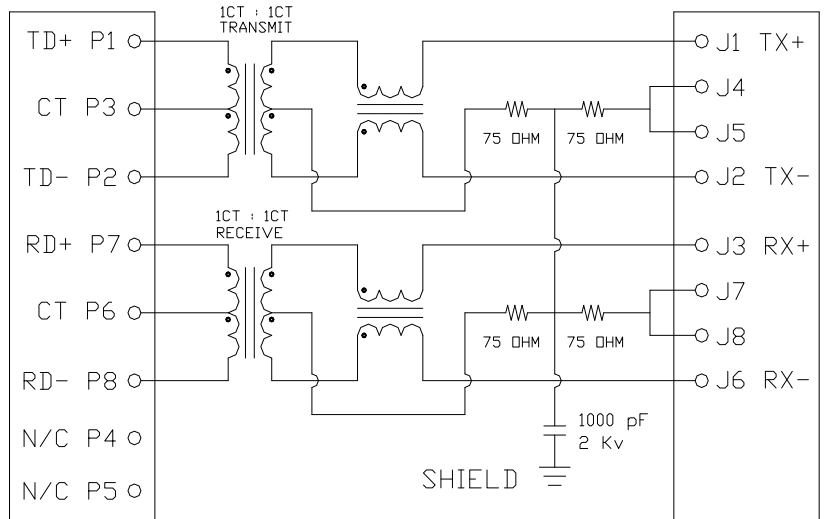
**Return Loss: 1-30MHZ -16.0dB MIN**  
**30-60MHZ -14.0dB MIN**  
**60-80MHZ -10.0dB MIN**

**Cross Talk: 1-30MHZ -40.0dB MIN**  
**30-60MHZ -35.0dB MIN**  
**60-80MHZ -30.0dB MIN**

**CMR: 1-100MHZ -35.0dB MIN**

**Hi-Pot: 1500v AC 6S 1mA**

**OCL:350uH MIN @ 100KHZ 100mV 8mA DC**



**Contacts: 0.35mm thick phos bronze plated with 6u' gold in contact area**

**Turn Ratio: 1CT:1CT+/-3%**

**Operating temperature range:0°C to +70°C**

**Housing Material: PBT Black**



Drafted by CZ Lin

UNIT: mm

.xx +/-0.25 .xxx +/-0.13

**10/100BASE  
1X1Tab-Down RJ45**

**Approved By : Herman Au**

**P/N:HRJ-YL1B017M2-60SNL**

REV.  
**A**

Sheet 1 of 1