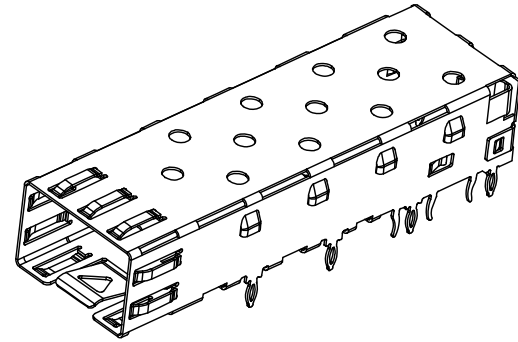
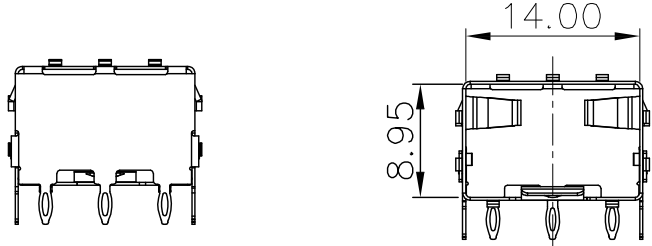
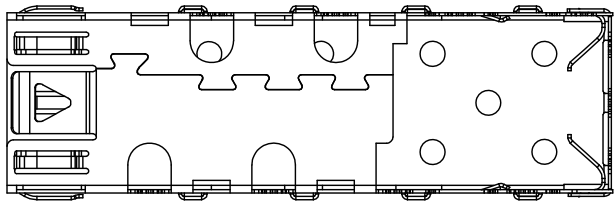
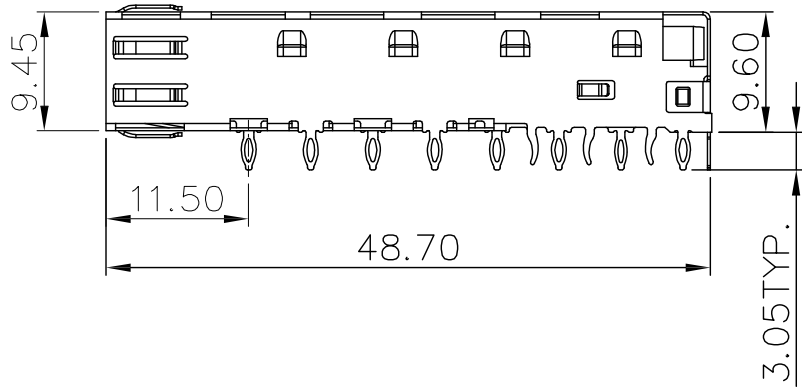
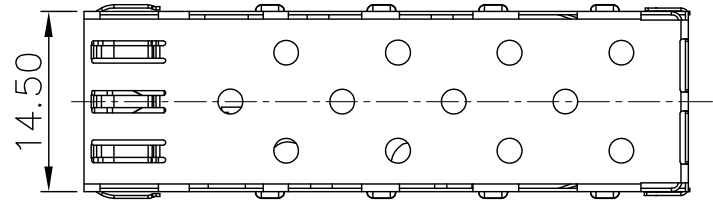


RoHS Compliant

更改 REV	变更内容 MODIFICATION	日期 DATE	制图 DRAW	核准 APPROVE
A	图面发行	2012/10/29	JY LEE	HERMAN



NOTES:
 MECHANICAL:
 CAGES: COPPER ALLOY, THICKNESS 0.25MM.
 PLATED: SELECTIVE PLATED OVER NICKEL
 PLATED NICKEL 50u"~80u"
 TEMPERATURE:
 OPERATION: -40°C~+85°C
 STORAGE: -40°C~+85°C
 RoHS COMPLIANCE.

If you have any questions, Don't hesitate to email sales@rj45jack.com, please!

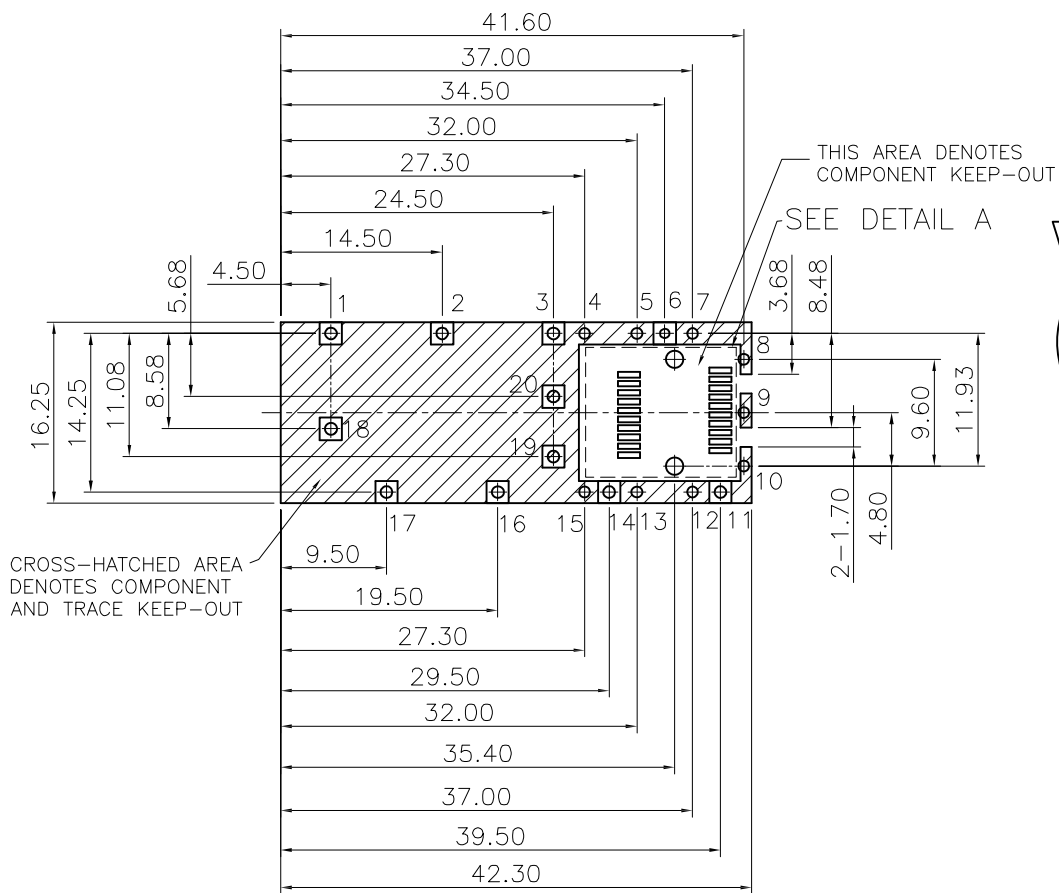
HTTP://WWW.RJ45JACK.COM		ULONG CONNECT THE WORLD		
QC : Inspection Item Cp/Cpk and SPC Control Item	DIMENSION IN mm [Inch]		ULONG E-CONNECTORS CO.,LTD	
	TOLERANCE UNLESS OTHERWISE SPECIFIED		料号 PART NO:	图号 DWG NO.
	.X± 0.25	X.*± 1°	SFP-1X1-L0-PZ	SFP-1X1-GZ
	.XX± 0.20	.X.*± 0.5°	名称 TITLE	
.XXX± 0.15		SFP CAGE 1X1 PRESS FIT		
核准 APPROVE	审核 CHECK	制图 DRAW	角法 PROJ.	页数 SHEET
		JY LEE	1:1	1 / 1
			图例 SCALE	更改 REV
			1:1	A

A B C D E F

1 2 3 4 5 6 7 8

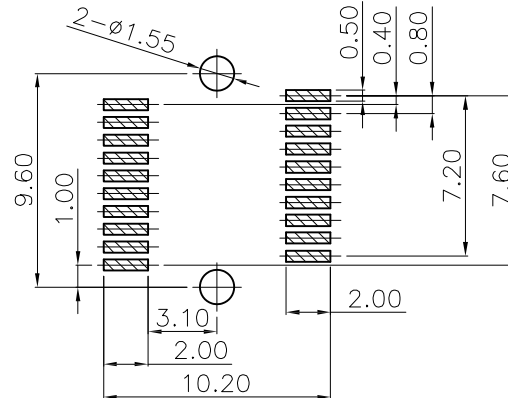
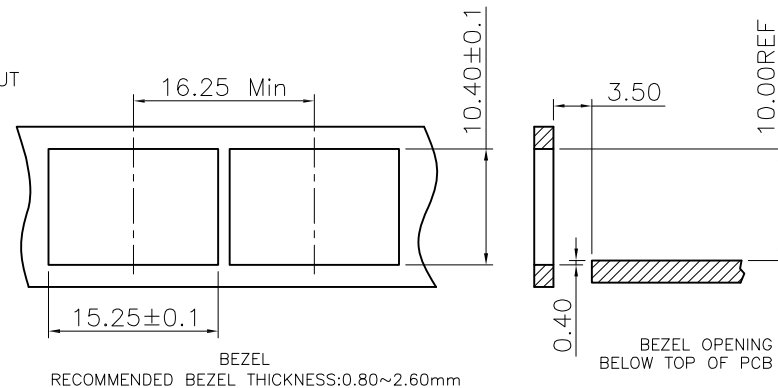
RoHS Compliant

更改 REV	说 明 内 容 MODIFICATION	日 期 DATE	制 图 DRAW	核 准 APPROVE
A	图面发行	2012/10/29	JY LEE	HERMAN



CROSS-HATCHED AREA DENOTES COMPONENT AND TRACE KEEP-OUT

THIS AREA DENOTES COMPONENT KEEP-OUT SEE DETAIL A



DETAIL A(SCALE 2:1)

- 1. RECOMMENDED PCB THICKNESS:2.36 (MINIMUM PCB THICKNESS:1.57) (ALL TOLERANCES ARE ±0.05)

1,2,3,11,14,16,17,18,19,20#孔直径为1.05mm;
4,5,7,8,9,10,12,13,15#孔直径为0.95mm;
6#孔直径为0.85mm;

HTTP://WWW.RJ45JACK.COM		ULONG CONNECT THE WORLD	
DIMENSION IN mm [Inch]		ULONG E-CONNECTORS CO.,LTD	
TOLERANCE UNLESS OTHERWISE SPECIFIED		料号 PART NO:	图号 DWG NO.
.X± 0.25	X.*± 1°	SFP-1X1-L0-PZ	SFP-1X1-GZ
.XX± 0.20	.X.*± 0.5°	名称 TITLE	
.XXX± 0.15		SFP CAGE 1X1 PRESS FIT	
核准 APPROVE	审核 CHECK	制图 DRAW	画法 PROJ.
		JY LEE	第一角 第一角 SCALE
			图号 SHEET
			1 / 2
		比例 SCALE	更改 REV
		1:1	A

If you have any questions, Don't hesitate to email sales@rj45jack.com, please!