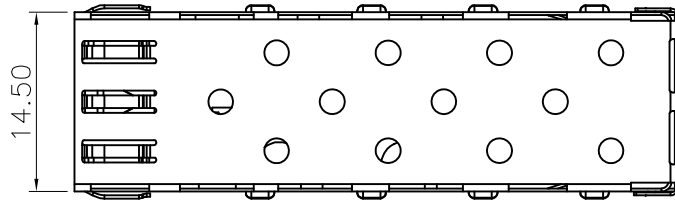
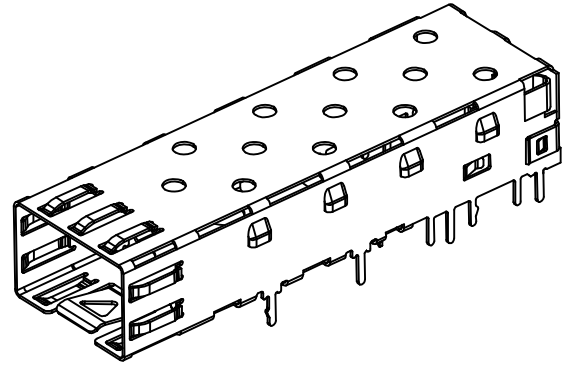
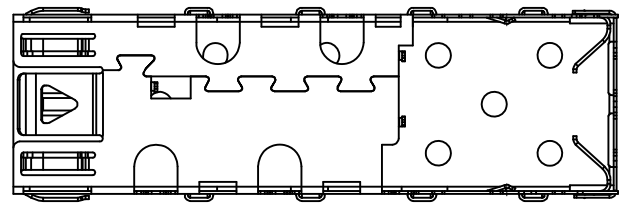
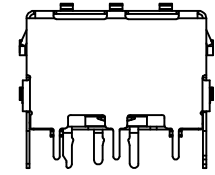
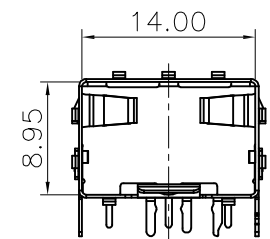
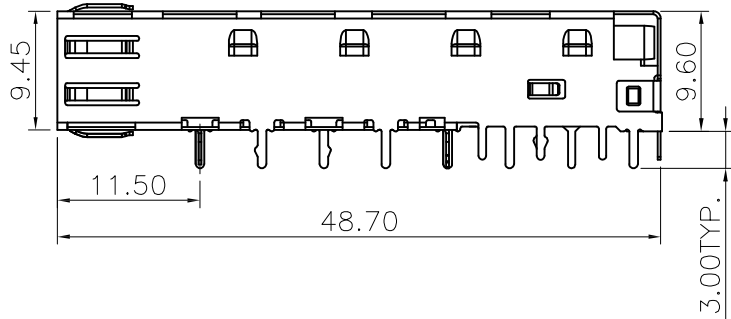


RoHS Compliant

更改 REV	设计内容 MODIFICATION	日期 DATE	制图 DRAW	核准 APPROVE
A	图面发行	2012/10/29	JY LEE	HERMAN

If you have any questions, Don't hesitate to email sales@rj45jack.com, please!

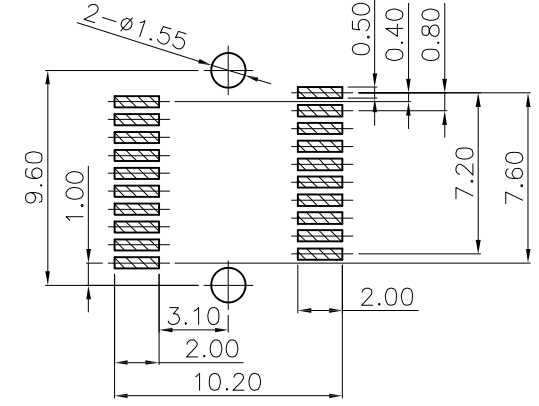
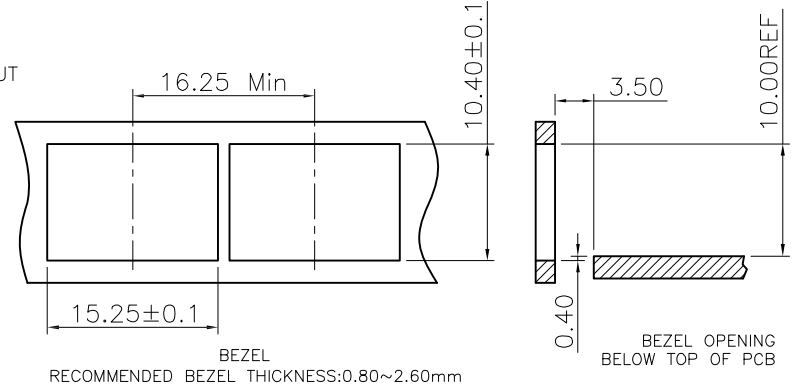
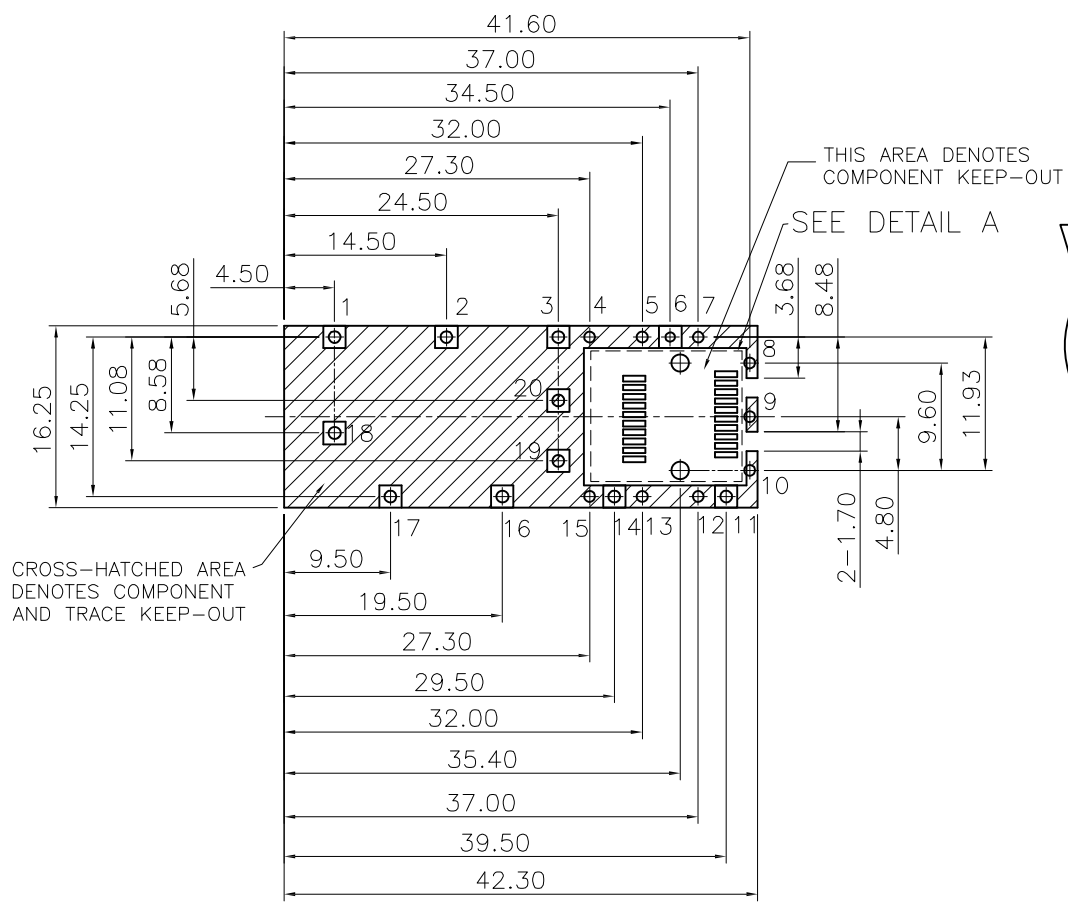


NOTES:
 MECHANICAL:
 CAGES: COPPER ALLOY, THICKNESS 0.25MM.
 PLATED: SELECTIVE PLATED OVER NICKEL
 PLATED NICKEL 50u"~80u"
 TEMPERATURE:
 OPERATION: -40°C~+85°C
 STORAGE: -40°C~+85°C
 RoHS COMPLIANCE.

HTTP://WWW.RJ45JACK.COM		ULONG CONNECT THE WORLD			
QC : Inspection item	CPK : Cp/Cpk and SPC Control item	DIMENSION IN mm [Inch]		ULONG E-CONNECTORS CO.,LTD	
		TOLERANCE UNLESS OTHERWISE SPECIFIED		料号 PART NO:	图号 DWG NO:
		.X± 0.25	X.° ± 1°	SFP-1X1-L0-DZ	SFP-1X1-GZ
		.XX± 0.20	.X° ± 0.5°	名称 TITLE	
.XXX± 0.15		SFP CAGE 1X1 DIP FIT			
核准 APPROVE	审核 CHECK	制图 DRAW	画法 PROJ	图号 SCALE	页次 SHEET
JY LEE		JY LEE	1:1	A3	1 / 1
			比例 SCALE	图纸 SIZE	更改 REV
			1:1	A3	A

RoHS Compliant

更改 REV	设计内容 MODIFICATION	日期 DATE	制图 DRAW	审核 APPROVE
A	图面发行	2012/10/29	JY LEE	HERMAN



1. RECOMMENDED PCB THICKNESS:2.36
(MINIMUM PCB THICKNESS:1.57)
(ALL TOLERANCES ARE ±0.05)
- 1,2,3,11,14,16,17,18,19,20#孔直径为1.05mm;
4,5,7,8,9,10,12,13,15#孔直径为0.95mm;
6#孔直径为0.85mm;

HTTP://WWW.RJ45JACK.COM		ULONG CONNECT THE WORLD	
QC : Inspection Item CPK : Cp/Cpk and SPC Control Item	DIMENSION IN mm [Inch]		ULONG E-CONNECTORS CO.,LTD
	TOLERANCE UNLESS OTHERWISE SPECIFIED		料号 PART NO: SFP-1X1-L0-DZ
	.X± 0.25	X.*± 1°	图号 DWG NO. SFP-1X1-GZ
	.XX± 0.20	.X*± 0.5°	名称 TITLE SFP CAGE 1X1 DIP FIT
.XXX± 0.15			
核准 APPROVE	审核 CHECK	制图 DRAW JY LEE	画法 PROJ. 1:1 图例 SCALE A3 更改 SHEET 1/2 图号 SIZE 更改 REV A

If you have any questions, Don't hesitate to email sales@rj45jack.com please!